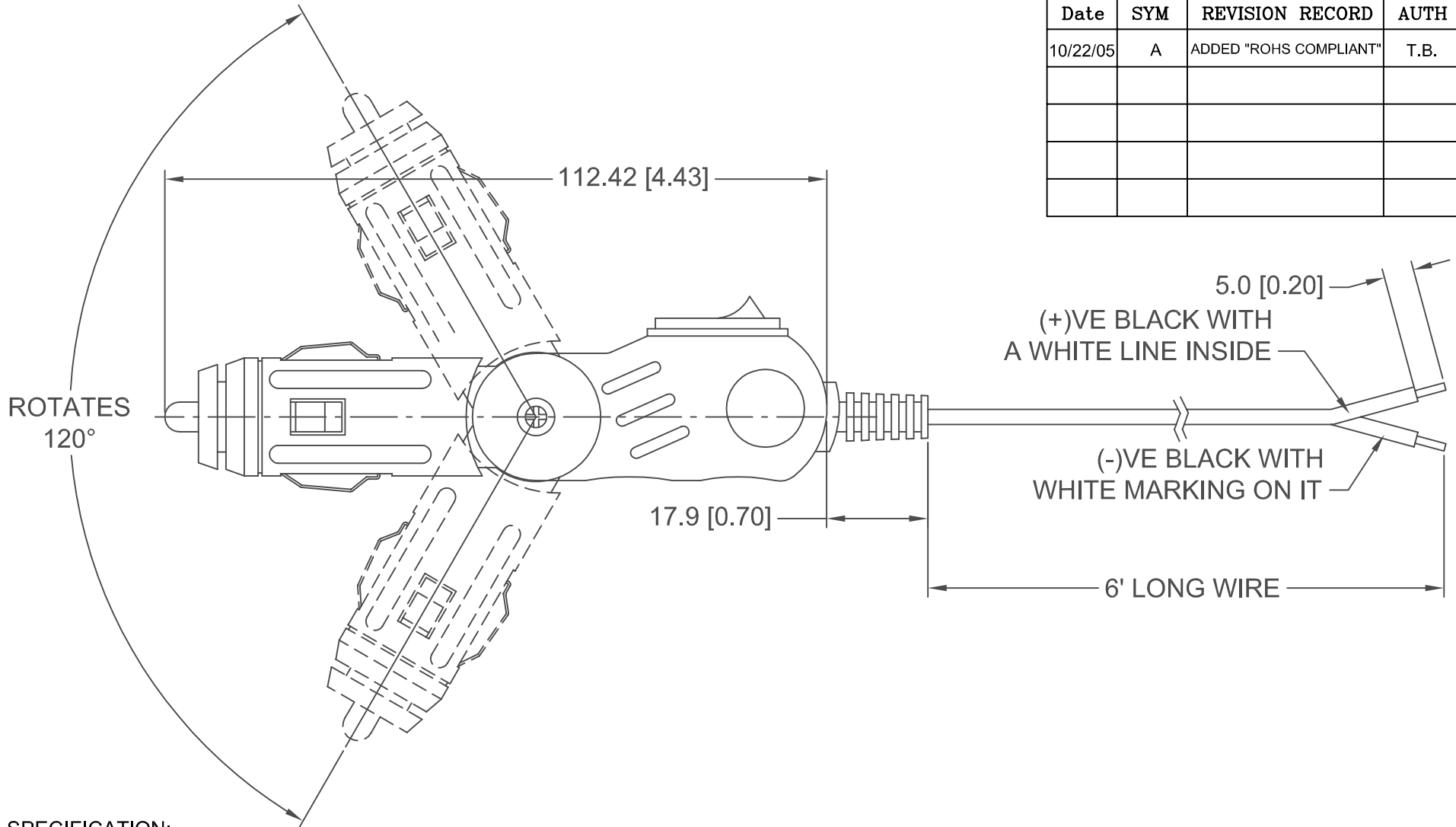



Date	SYM	REVISION RECORD	AUTH	DR.	CK.
10/22/05	A	ADDED "ROHS COMPLIANT"	T.B.	B.S.	



**SPECIFICATION:**

BODY: HIGH IMPACT ABS, UL94V-0, FILE NO. E56070(S)  
 COLOR: BLACK  
 CENTER CONTACT: BRASS, NICKEL PLATED  
 SLIDING CONTACTS: PHOS. BRONZE, NICKEL PLATED  
 SPRING: SW70C, ZINC PLATED  
 FUSE: 250V, 5 AMP, 3AG 6.35mm x 30mm (1/4" X 1 1/4")  
 RATED AT 18 HOURS, CONTINUOUS DUTY  
 10 AMP'S MAX WITH CORRECT FUSE.  
 SWITCH: RED LED, 10 AMPS - 125 VOLTS  
 OR 5 AMPS - 250 VOLTS  
 WIRE: 6' LONG, 18AWG, VW-1, SPT-1, 105°C, (+)VE WIRE WITH  
 A WHITE LINE INSIDE, (-)VE WIRE WITH WHITE MARKING ON IT  
 ROHS COMPLIANT

Tolerance (Except as noted)	 <b>Memory Protection Devices, Inc</b> 200 Broad Hollow Road, Farmingdale, New York 11735	Scale	Drawn By B.S.
			Approved By T.B.
decimal ±.5 (.020)	Title LIGHTED ROTARY CIGARETTE PLUG WITH 6' WIRE, 10AMP SWITCH AND 5AMP FUSE		
Fractional ± .8 (.030)		Date 10/22/05	Drawing Number BK-5072
Angular ± 3°			