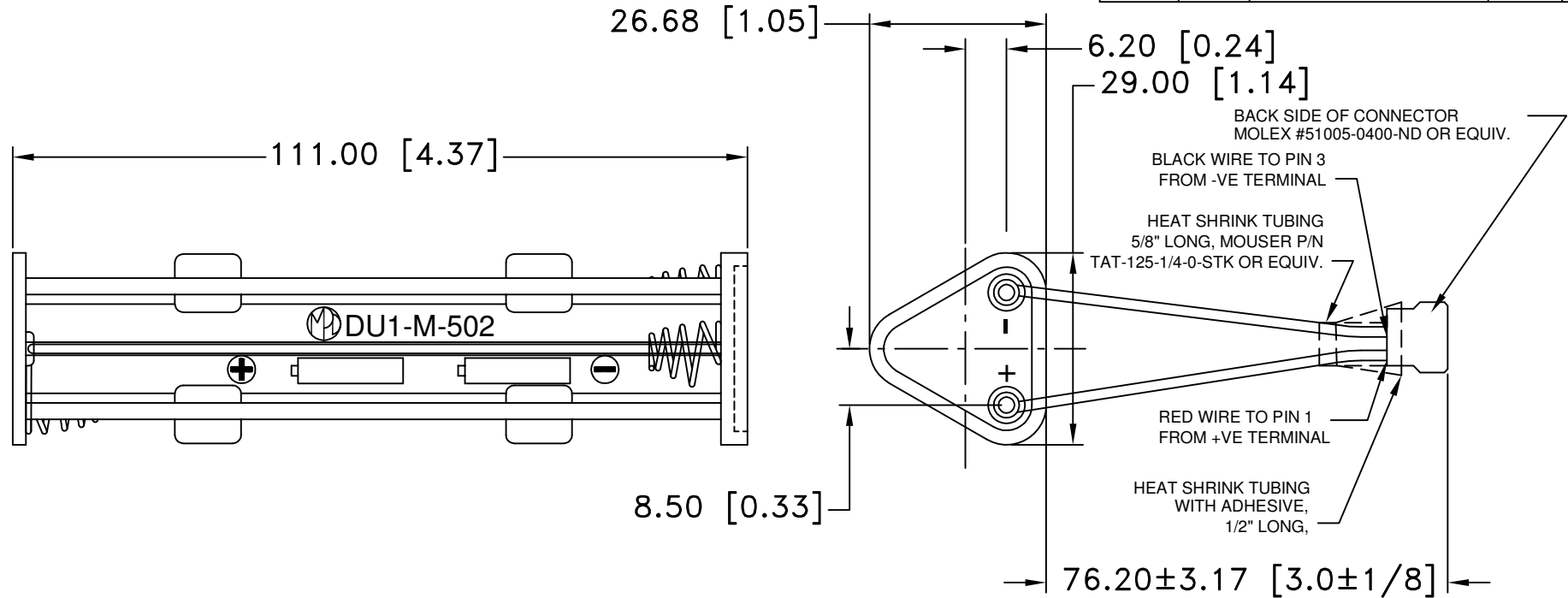



Date	SYM	REVISION RECORD	AUTH	DR.	CK.
06/11/05	A	Black wire to pin 3 was Red Added heat shrink tubing	T.B.	B.S.	
06/25/05	B	Black wire to pin 3 was Red	T.B.	B.S.	
10/08/05	C	Changed to Heat Shrink tubing w/adhesive	T.B.	B.S.	
11/05/05	D	Added note #9	T.B.	B.S.	
4/22/06	E	Added "ROHS COMPLIANT"	T.B.	B.S.	



NOTES:

- HOUSING: POLYPROPYLENE WITH 10% TALC.
- LUGS: BRASS, NICKLE PLTD.
- BUMP PLATES: MILD STEEL G3141 NICKLE PLTD.
- EYELETS: BRASS, NICKLE PLTD.
- SPRINGS: HARD DRAWN STEEL WIRE JIS G 3521 NICKLE PLTD.
- WIRE: BLACK AND RED, 2 5/8 ± 1/8 LONG
- CONNECTOR: MOLEX OR EQUIV.  
MOLEX #51005-0400-ND OR EQUIV.  
FEMALE 4-PIN CONNECTOR. PIN CENTERS=.079".
- CONTACTS: MOLEX OR EQUIV.  
MOLEX #50013
- CRIMP TERMINAL CONNECTIONS FOR WIRES
- ROHS COMPLIANT

Tolerance (Except as noted)	 <b>Memory Protection Devices, Inc</b> 200 Broad Hollow Road, Farmingdale, New York 11735	Scale	Drawn By B.S.
			Approved By T.B.
decimal ±.5 (.020)	Title SIX "AA" SIZE CELL BATTERY HOLDER		
Fractional ± .8 (.030)		Date 4/22/06	Drawing Number BK-5075
Angular ± 3°			