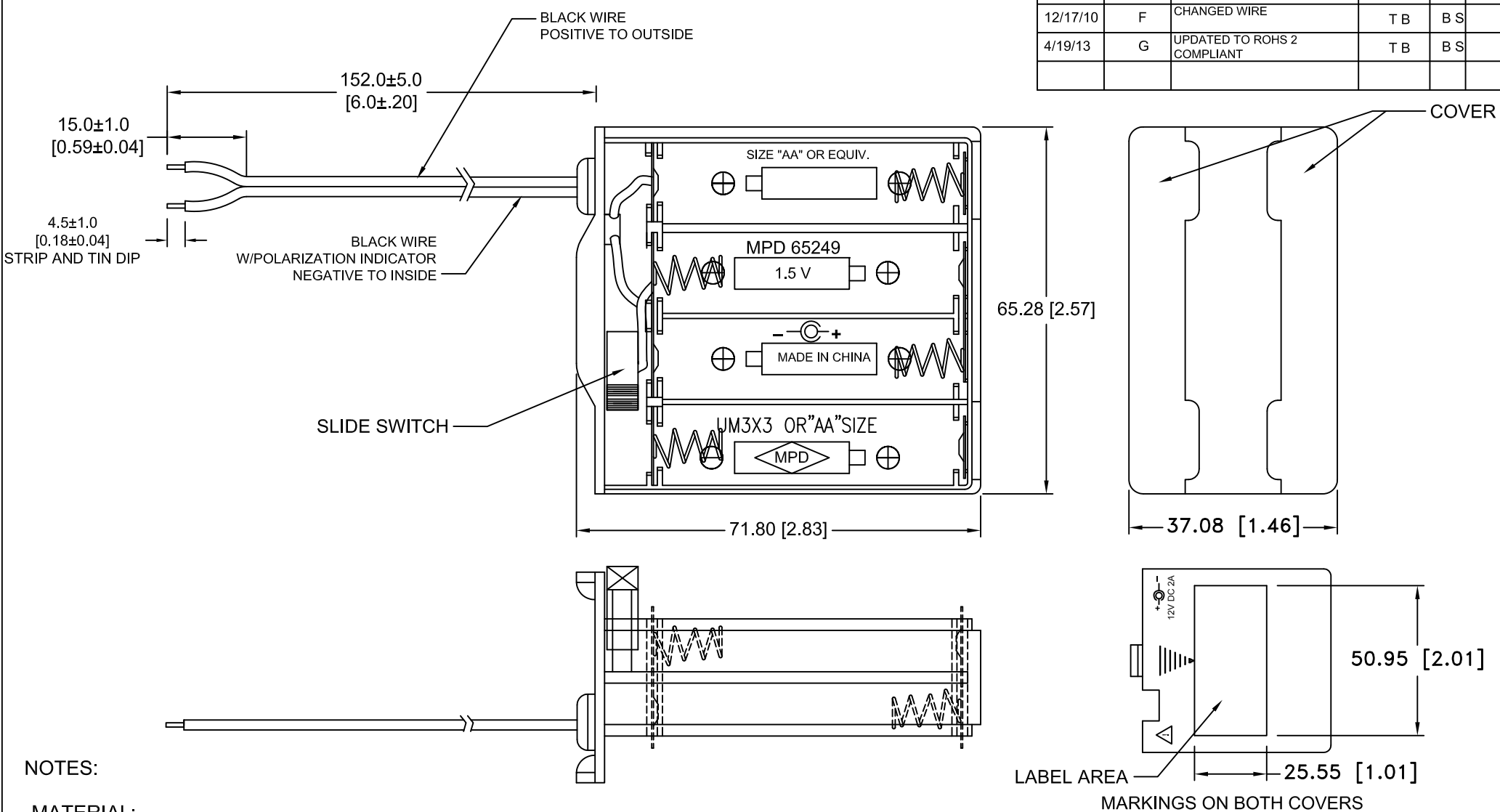



Date	SYM	REVISION RECORD	AUTH	DR.	CK.
12/17/10	F	CHANGED WIRE	T B	B S	
4/19/13	G	UPDATED TO ROHS 2 COMPLIANT	T B	B S	



NOTES:

MATERIAL:

HOUSING: POLYPROPYLENE, BLACK
 FLAMMABILITY RATING -UL94V-0, 2% TO 5% TALC FILLED
 TEMPERATURE RANGE: -10°C to +100°C
 SPRINGS: SPRING STEEL, NICKEL PLATED
 RIVETS: BRASS, NICKEL PLATED
 WIRE: BLACK/BLACK, AWM 2468, AWG 20X2C -F- (LEAD FREE)
 SWITCH RATED FOR 0.5A-50VDC
 CONTACT RESISTANCE: UNDER 50mΩ FOR +/- CONTACTS PER EIA-540J000
 ROHS 2 COMPLIANT

Tolerance (Except as noted)	 Memory Protection Devices, Inc 200 Broad Hollow Road, Farmingdale, New York 11735	Scale	Drawn By B.S.
			Approved By T.B.
decimal ±.5 (.020)	Title EIGHT "AA" CELL HOLDER WITH COVERS		
Fractional ± .8 (.030)		Date 4/19/13	Drawing Number BK-6049
Angular ± 3°			