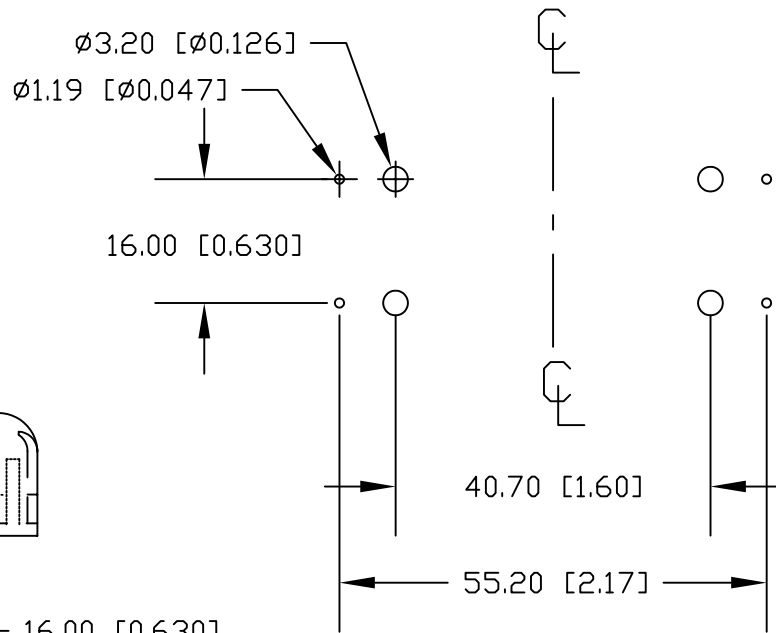
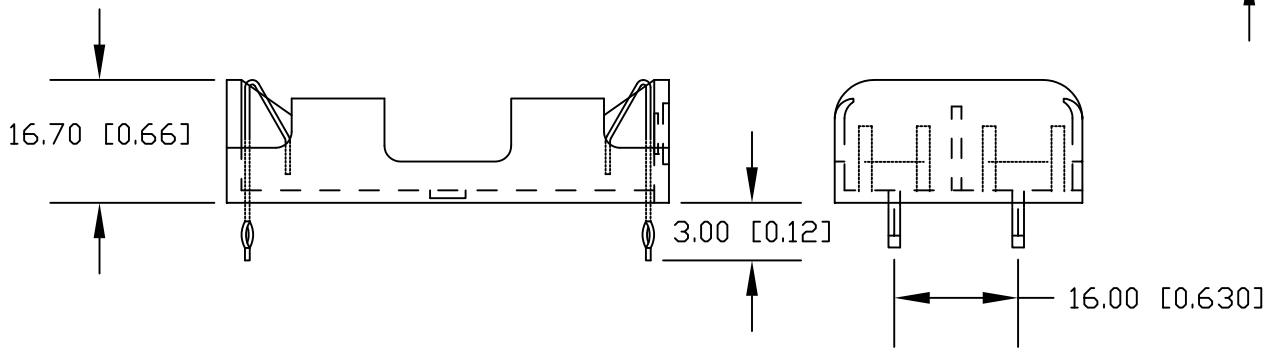
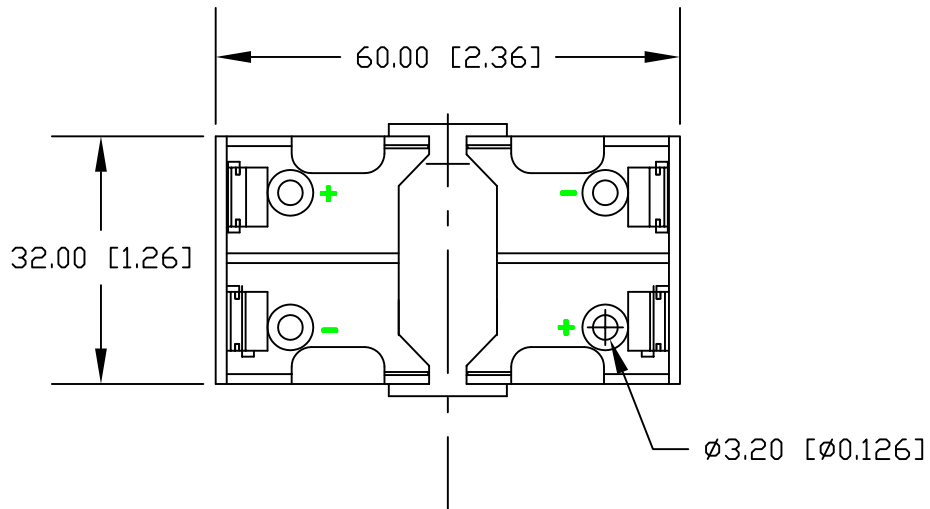



| Date | SYM | REVISION RECORD | AUTH | DR. | CK. |
|---------|-----|----------------------------|------|------|-----|
| 5/26/07 | A | ADDED TEST RESULTS | T.B. | B.S. | |
| 9/04/08 | B | UPDATED POS. AND NEG. SIGN | T.B. | B.S. | |
| | | | | | |
| | | | | | |



PCB LAYOUT

NOTES:

Material: Polypropylene, UL94V-0, UL file No. E255317
 Contacts: 302 Stainless Steel Spring Temper, Nickel Plated
 Cover: Polypropylene, UL94V-0
 Heat Deflection Temperature: 90°C
 Vibration Test: 10-50-10 Hz swept in 60 seconds
 X,Y,Z direction: 1 hour each direction
 Result: No dislodgement of the cell or damage
 No discontinuity over 10 micro-seconds
 Shock Test: Half sine wave acceleration 150G. 6 micro-seconds
 3 shock pulses each direction per axis, total of 18 pulses
 Result: No evidence of physical damage.
 ROHS COMPLIANT

| | | | |
|--------------------|--|----------------|------------------|
| Tolerance (Inches) |  Memory Protection Devices, Inc 200 Broad Hollow Road, Farmingdale, New York 11735 | | |
| Decimal | | Scale | Drawn By B.S. |
| $\pm .5$ (.020) | | | Approved By T.B. |
| Fractional | Title | | |
| $\pm .8$ (.030) | 2 "AA" BATTERY HOLDER FOR MEMORY BACKUP | | |
| Angular | Date | Drawing Number | |
| $\pm 3^\circ$ | 9/04/08 | BK-6100-PC4 | |