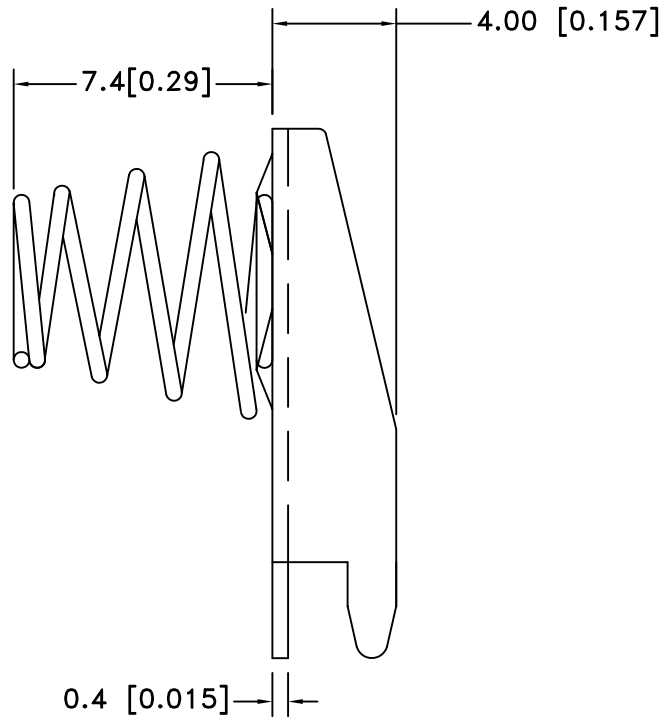
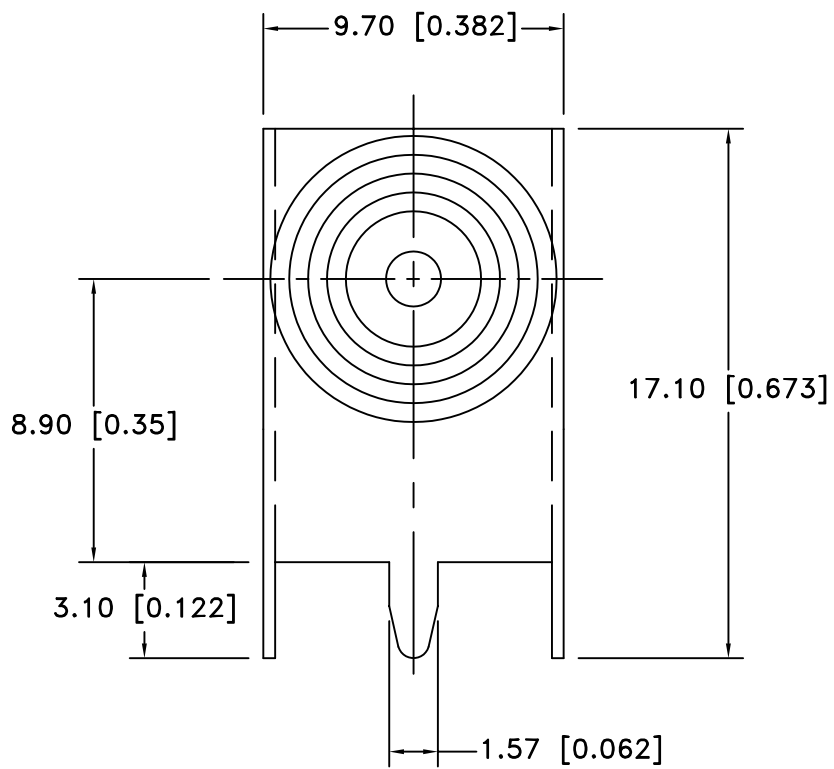



Date	SYM	REVISION RECORD	AUTH	DR.	CK.



NOTES:

MATERIAL:

1. BASE PLATE: 0.40±0.05 mm CRS, TIN PLATED 80U'-120U'.
2. SPRING: 0.70±0.05 mm SPRING STEEL, NICKLE PLATED 80U'-120U', 4 COILS
3. ROHS COMPLIANT

Tolerance (Except as noted)	 Memory Protection Devices, Inc 200 Broad Hollow Road, Farmingdale, New York 11735		
decimal ±.5 (.020)		Scale	Drawn By B.S.
Fractional ± .8 (.030)	Title CONTACT, "AA", "AAA", "N" AND 12V BATTERY		
Angular ± 3°	Date 10/10/08	Drawing Number BK-628	
		Approved By T.B.	