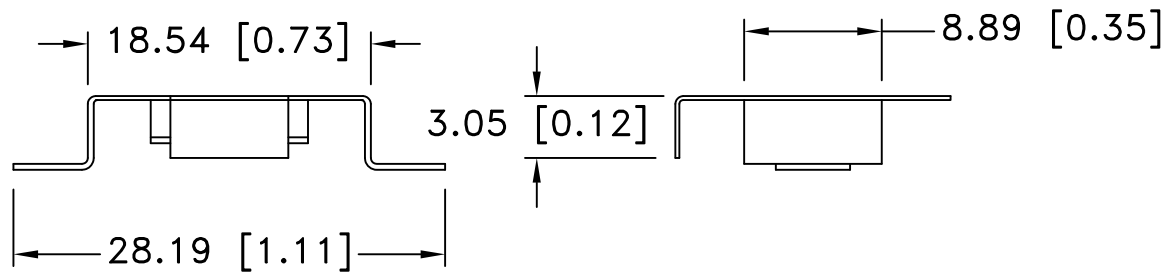
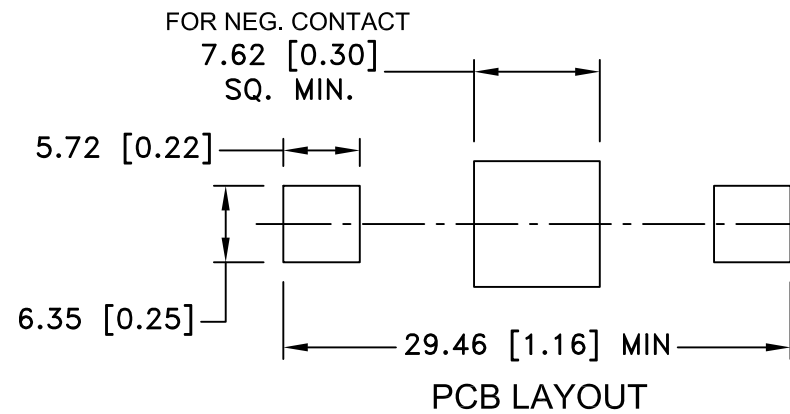
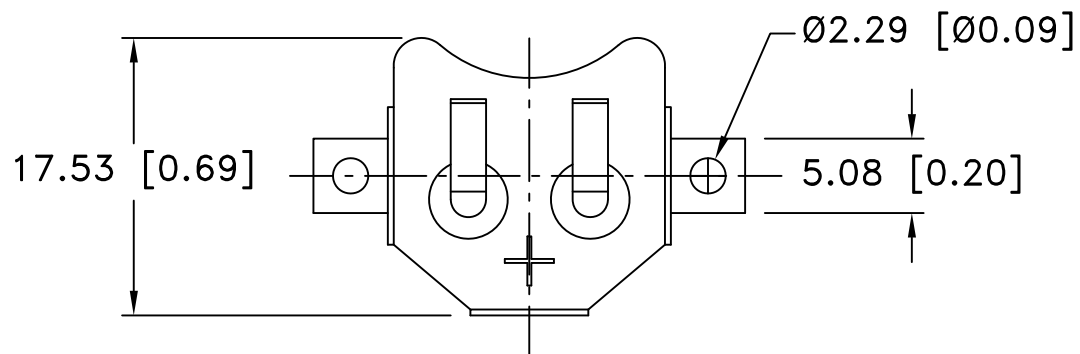



Date	SYM	REVISION RECORD	AUTH	DR.	CK.
11/06/03	A	ADDED BATTERY NUMBERS	T.B.	B.S.	
12/17/10	B	RE-DRAWN IN AUTOCAD	T.B.	B.S.	
4/26/13	C	UPDATED TO ROHS 2 COMPLIANT	T.B.	B.S.	



NOTES:

- MATERIAL:  
 0.25mm (0.010") PHOSPHOR BRONZE, NICKEL PLTD.  
 ROHS 2 COMPLIANT

Tolerance (Except as noted)	 Memory Protection Devices, Inc 200 Broad Hollow Road, Farmingdale, New York 11735		
decimal $\pm .5$ (.020)	Scale	Drawn By B.S.	
Fractional $\pm .8$ (.030)	Title 16mm SURFACE MOUNT RETAINER		
Angular $\pm 3^\circ$	Date 4/26/13	Drawing Number BK-868	
Approved By T.B.			

CELL SIZE	RETAINS BATTERY NUMBERS
16mm	CR1616, CR1620, CR1632