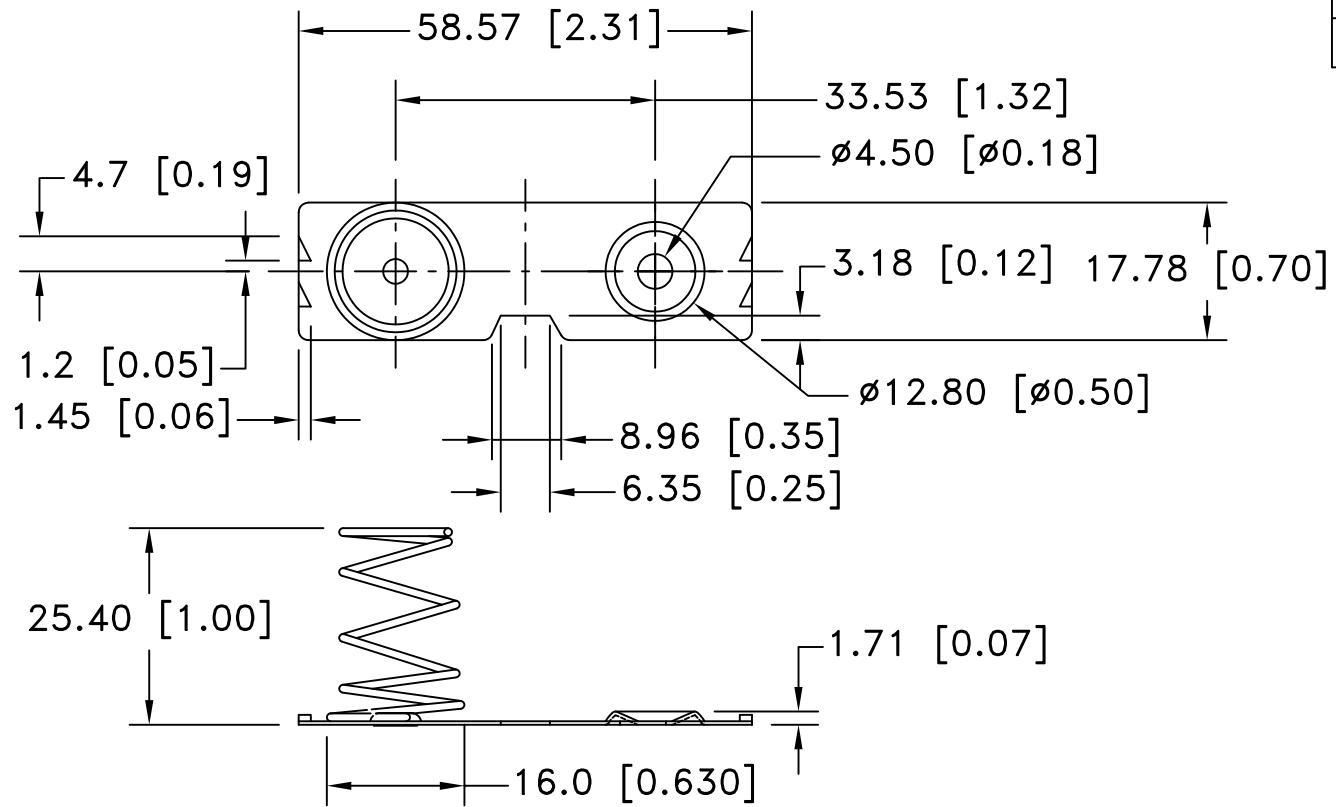



Date	SYM	REVISION RECORD	AUTH	DR.	CK.
5/01/09	A	ADDED "ROHS COMPLIANT"	T.B.	B.S.	



NOTES:

- MATERIAL:  
CONTACT PLATE: 0.45mm (0.018") THICK  
RIVETS: BRASS, NICKLE PLTD.  
SPRING: 1.02mm (0.04") THICK SPRING STEEL, NICKLE PLTD.  
ROHS COMPLIANT

Tolerance (Except as noted)	 <b>Memory Protection Devices, Inc</b> 200 Broad Hollow Road, Farmingdale, New York 11735		
decimal ±.5 (.020)		Scale	Drawn By B.S.
			Approved By T.B.
Fractional ± .8 (.030)	Title BATTERY CONTACT FOR "D" CELL		
Angular ± 3°	Date 5/01/09	Drawing Number BK-874	