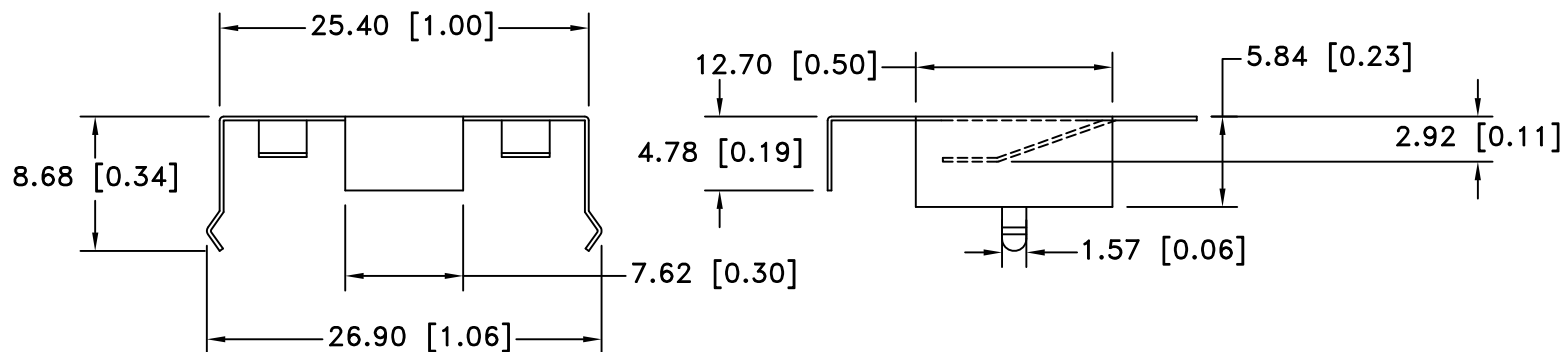
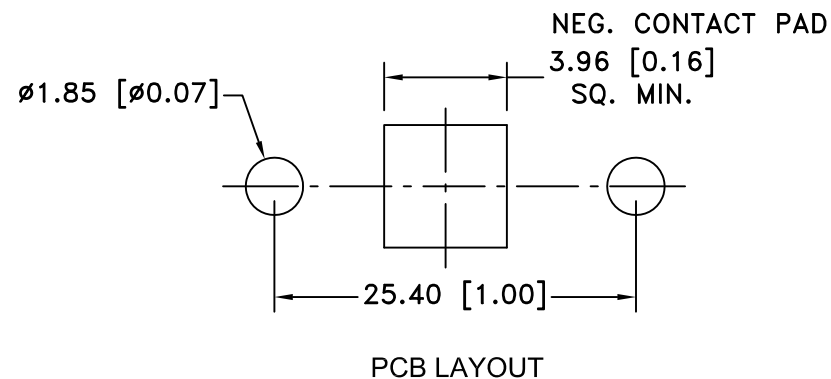
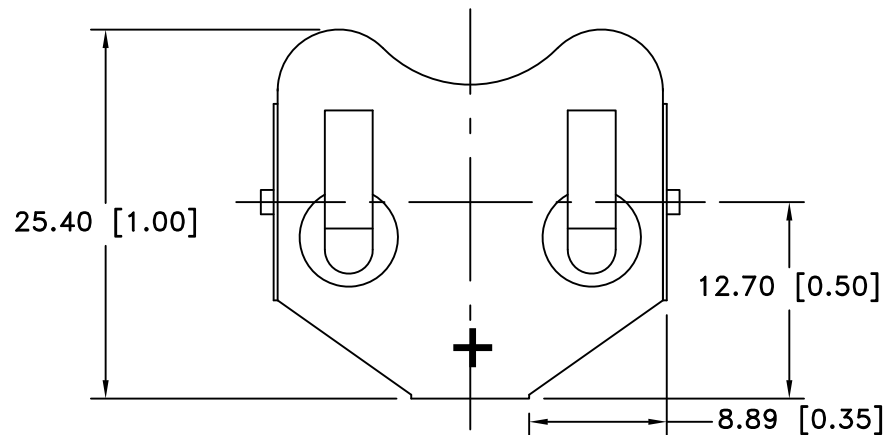



Date	SYM	REVISION RECORD	AUTH	DR.	CK.
02/12/05	A	REVISED DRAWING	T.B.	B.S.	
1/07/06	B	ADDED "ROHS COMPLIANT"	T.B.	B.S.	
3/07/14	C	UPDATED TO ROHS 2 COMPLIANT	T.B.	B.S.	



NOTES:

- MATERIAL:
0.25mm PHOSPHOR BRONZE, NICKLE PLTD.
- ROHS 2 COMPLIANT

Tolerance (Except as noted)	 Memory Protection Devices, Inc 200 Broad Hollow Road, Farmingdale, New York 11735		
decimal $\pm .5$ (.020)	Scale	Drawn By B.S.	
Fractional $\pm .8$ (.030)	Title COIN CELL RETAINER FOR 2450 BATTERIES		
Angular $\pm 3^\circ$	Date 3/07/14	Drawing Number BK-880	

CELL SIZE	RETAINS BATTERY NUMBERS
24mm	CR2450, DL2450