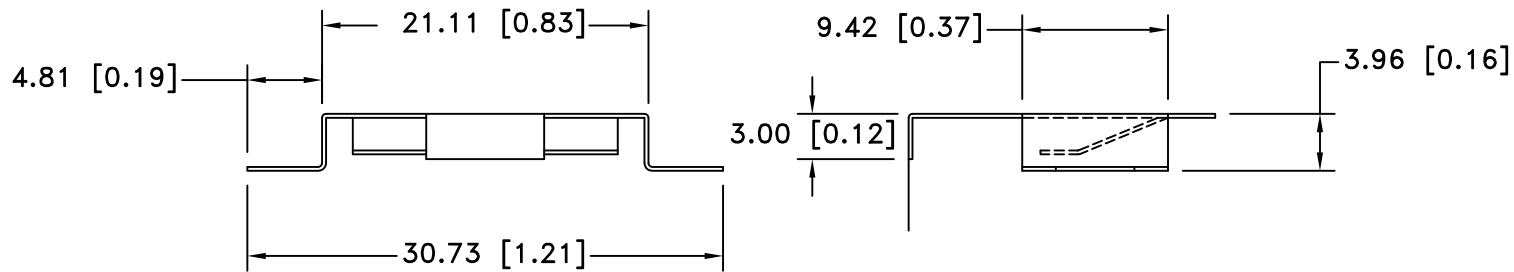
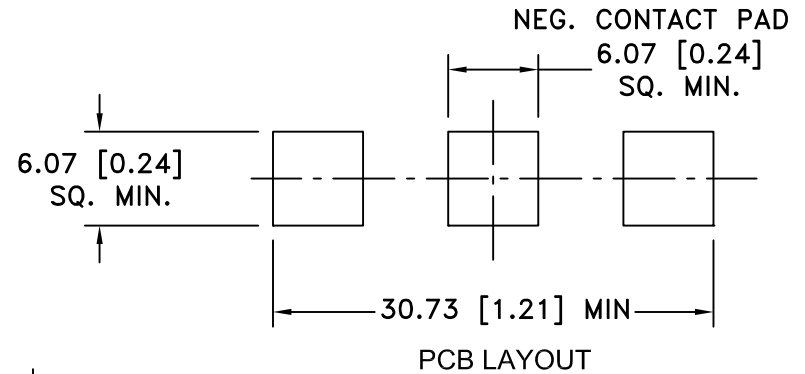
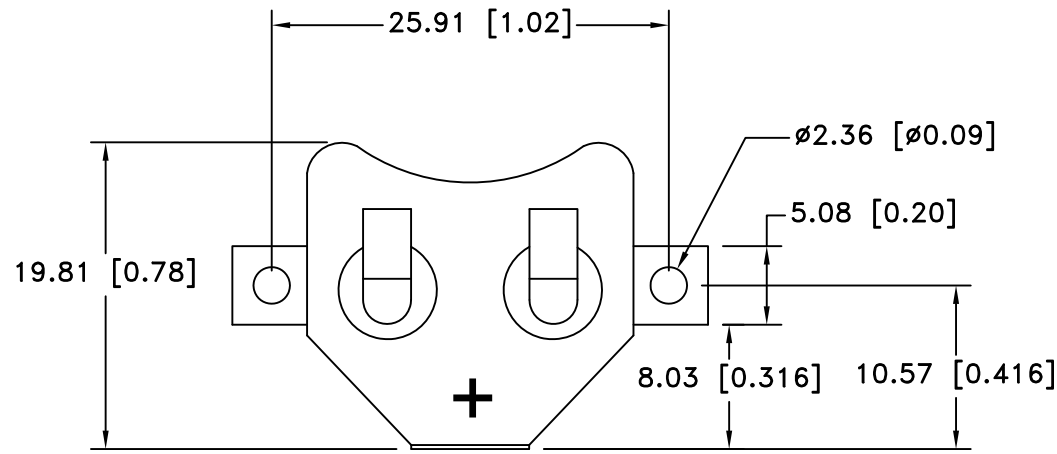


Date	SYM	REVISION RECORD	AUTH	DR.	CK.
3/03/07	C	ADDED DIM. 8.03 AND 10.57	T.B.	B.S.	
1/11/08	D	ADDED DIM. 25.91	T.B.	B.S.	
10/10/08	E	UPDATED PCB LAYOUT	T.B.	B.S.	
7/09/09	F	UPDATED MATERIAL NOTES	T.B.	B.S.	
01/31/14	G	UPDATED TO ROHS 2 COMPLIANT	T.B.	B.S.	



NOTES:

1. MATERIAL:

0.25mm PHOSPHOR BRONZE 1/2H, NICKEL PLATED 40U"-120U"

TEMPERATURE RANGE: -40°C TO +270°C

\* VIBRATION TEST: 10-50-10 HZ SWEEPED IN 60 SECONDS  
X,Y,Z DIRECTION: 1 HOUR EACH DIRECTION


\* RESULT: NO DISLODGE MENT OF THE CELL OR DAMAGE  
NO DISCONTINUITY OVER 10 MICRO-SECONDS

\* SHOCK TEST: HALF SINE WAVE ACCELERATION 150G.  
6 MILLISECONDS  
3 SHOCK PULSES EACH DIRECTION PER  
AXIS, TOTAL OF 18 PULSES

\* RESULT: NO EVIDENCE OF PHYSICAL DAMAGE

ROHS 2 COMPLIANT

CELL SIZE	RETAINS BATTERY NUMBERS
20mm	BR2016, CR2016, DL2016, BR2020, CL2020, BR2025, CR2025, DL2025, DR2032, CR2032, DL2032

Tolerance (Except as noted)	 <b>Memory Protection Devices, Inc</b> 200 Broad Hollow Road, Farmingdale, New York 11735		
decimal ±.5 (.020)		Scale	Drawn By B.S.
Fractional ± .8 (.030)	Title	Approved By T.B.	
	COIN CELL RETAINER FOR 20mm DIA. BATTERIES		
Angular ± 3°	Date	Drawing Number	
	01/31/14	BK-883	