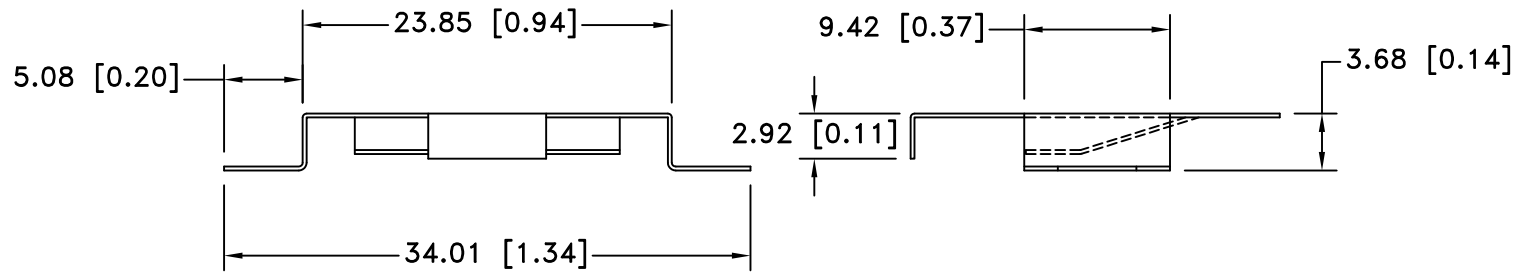
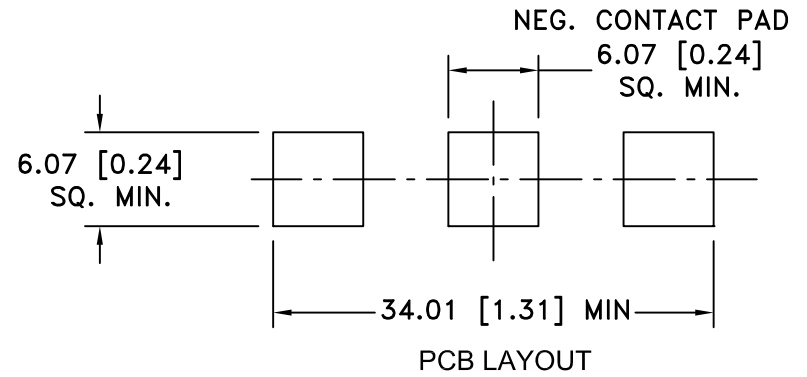
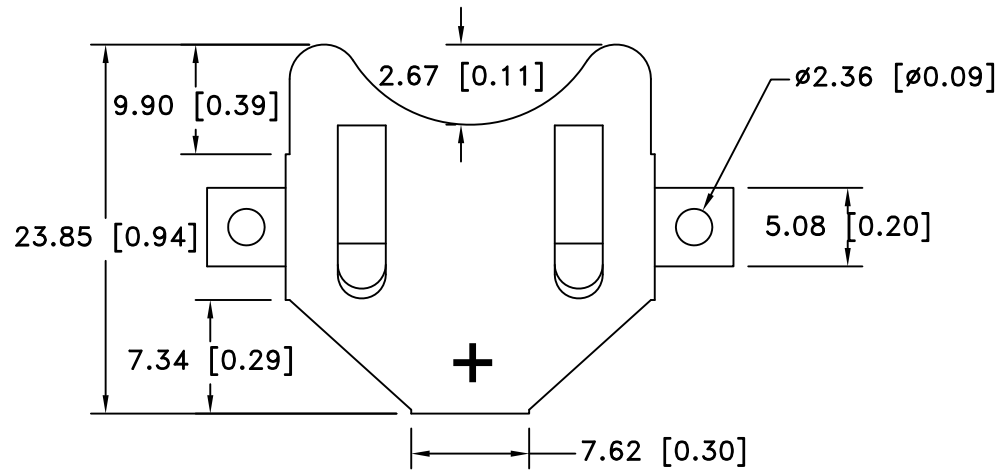



Date	SYM	REVISION RECORD	AUTH	DR.	CK.
1/07/06	A	ADDED "ROHS COMPLIANT"	T.B.	B.S.	
2/04/06	B	ADDED CHAMFERS	T.B.	B.S.	
10/10/08	C	UPDATED PCB LAYOUT	T.B.	B.S.	
12/02/11	D	ADDED DIM. 2.67, 9.90, 7.34 AND 7.62	T.B.	B.S.	
3/07/14	E	UPDATED TO ROHS 2 COMPLIANT	T.B.	B.S.	



NOTES:

- MATERIAL:  
0.25mm PHOSPHOR BRONZE, NICKLE PLTD.
- ROHS 2 COMPLIANT

Tolerance (Except as noted)	 <b>Memory Protection Devices, Inc</b> 200 Broad Hollow Road, Farmingdale, New York 11735	Scale	Drawn By B.S.
			Approved By T.B.
decimal ±.5 (.020)	Title COIN CELL RETAINER FOR 23mm DIA. BATTERIES		
Fractional ± .8 (.030)		Date 3/07/14	Drawing Number BK-884
Angular ± 3°			

CELL SIZE	RETAINS BATTERY NUMBERS
23mm	BR2320, CL2320, CR2320, BR2325, CR2325, DL2325, BR2330, CL2330