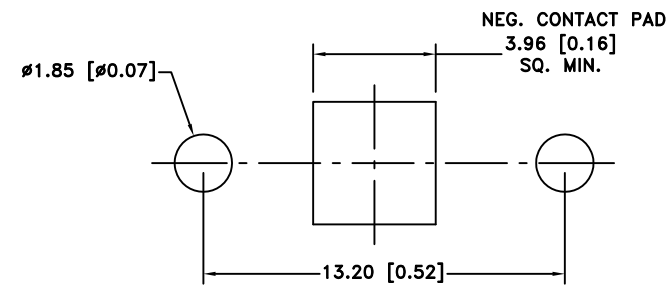
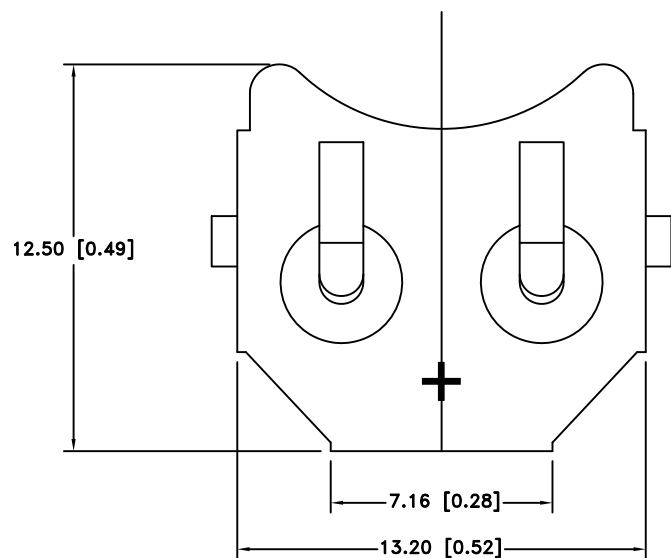
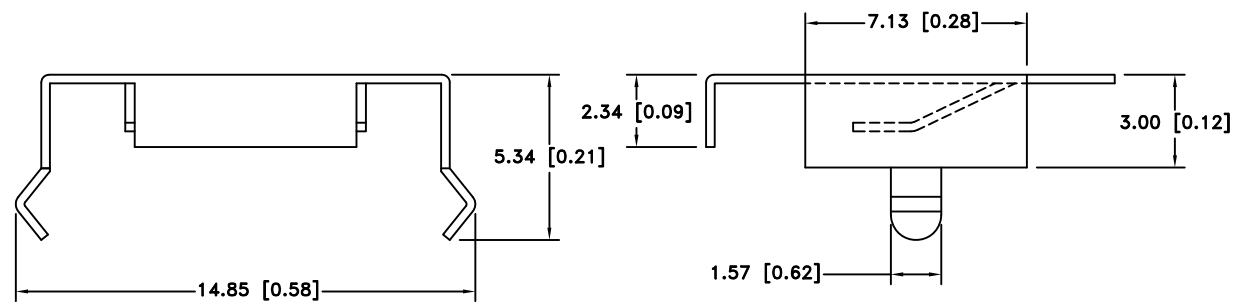


Date	SYM	REVISION RECORD	AUTH	DR.	CK.
1/07/06	A	ADDED "ROHS COMPLIANT"	T.B.	B.S.	
2/04/06	B	ADDED CHAMFERS	T.B.	B.S.	
4/16/10	C	REDESIGNED	T.B.	B.S.	
3/07/14	D	UPDATED TO ROHS 2 COMPLIANT	T.B.	B.S.	




PCB LAYOUT



NOTES:

- 1. MATERIAL:
0.25mm PHOSPHOR BRONZE, NICKLE PLTD.
- 2. ROHS 2 COMPLIANT

Tolerance (Except as noted)	 Memory Protection Devices, Inc 200 Broad Hollow Road, Farmingdale, New York 11735		
decimal ±.5 (.020)		Scale	Drawn By B.S.
Fractional ± .8 (.030)	Title COIN CELL RETAINER FOR 12mm BATTERIES		
Angular ± 3°	Date 3/07/14	Drawing Number BK-890	

CELL SIZE	RETAINS BATTERY NUMBERS
12mm	BR1216, CR1216, BR1220, CL1220, CR1220, BR1225