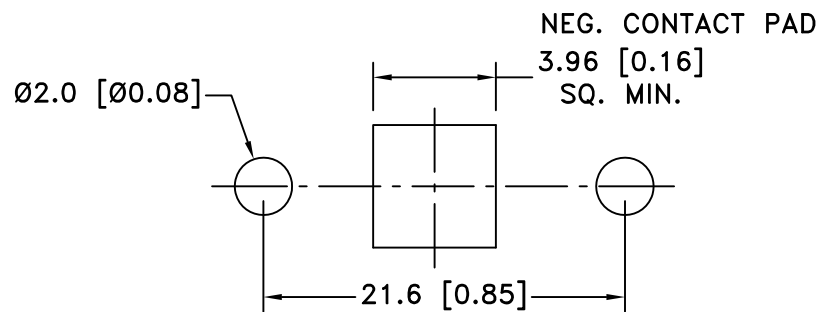
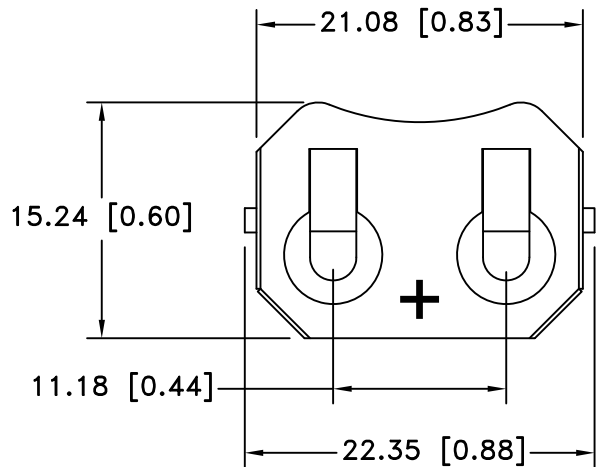
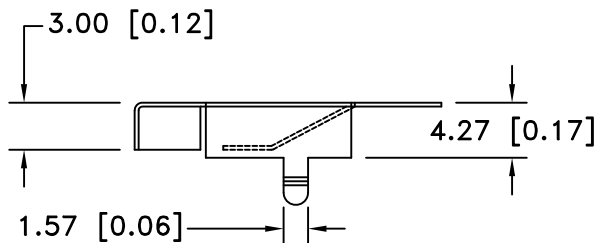
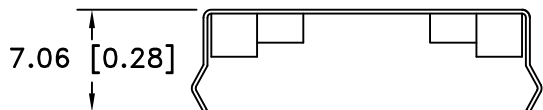


Date	SYM	REVISION RECORD	AUTH	DR.	CK.
3/07/14	A	UPDATED TO ROHS 2 COMPLIANT	T.B.	B.S.	




PCB LAYOUT



NOTES:

1. MATERIAL:  
0.25mm PHOSPHOR BRONZE, NICKLE PLTD.
2. ROHS 2 COMPLIANT

Tolerance (Except as noted)	 <b>Memory Protection Devices, Inc</b> 200 Broad Hollow Road, Farmingdale, New York 11735		
decimal ±.5 (.020)		Scale	Drawn By B.S.
Fractional ± .8 (.030)	Title COIN CELL RETAINER FOR 20mm DIA. BATTERIES		
Angular ± 3°	Date 3/07/14	Drawing Number BK-913	

CELL SIZE	RETAINS BATTERY NUMBERS
20mm	BR2032, CR2032