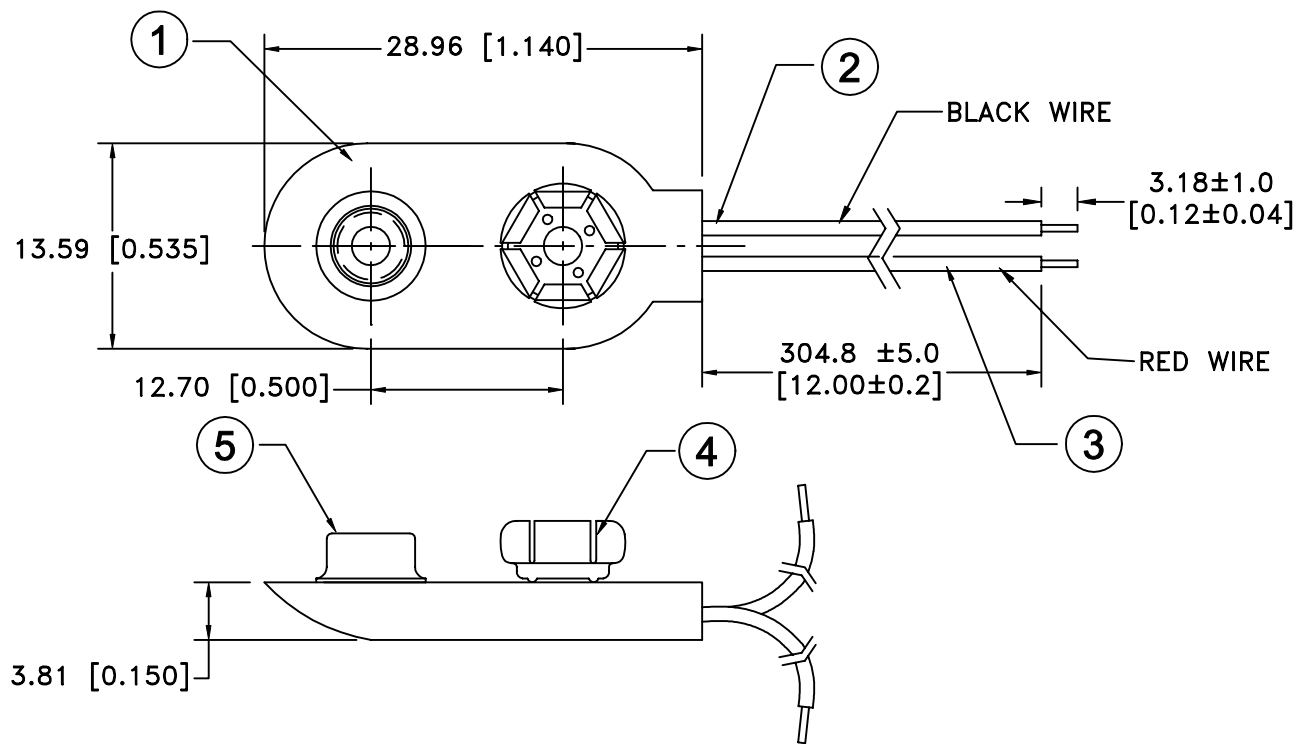



Date	SYM	REVISION RECORD	AUTH	DR.	CK.



NO.	PART NAME	MATERIAL	QTY.	Tolerance	Memory Protection Devices, Inc	
1	COVER	PVC COVER OVER FIBERBOARD	1	(Except as noted)		200 Broad Hollow Road, Farmingdale, New York 11735
2	BLACK WIRE(-)	22 AWG, UL-1007, CSA TR-64, 300V, 80°C	1	decimal		Scale
3	RED WIRE (+)	22 AWG, UL-1007, CSA TR-64, 300V, 80°C	1	±.5 (.020)		Approved By T.B.
4	FEMALE SNAP	BRASS, NICKLE PLATED	1	Fractional	Title	
5	MALE SNAP	BRASS NICKLE PLATED	1	± .8 (.030)	9 VOLT BATTERY SNAP-I STYLE-12" WIRE LEADS, 22 AWG	
				Angular	Date	Drawing Number
				± 3°	05/25/01	BS12I-22