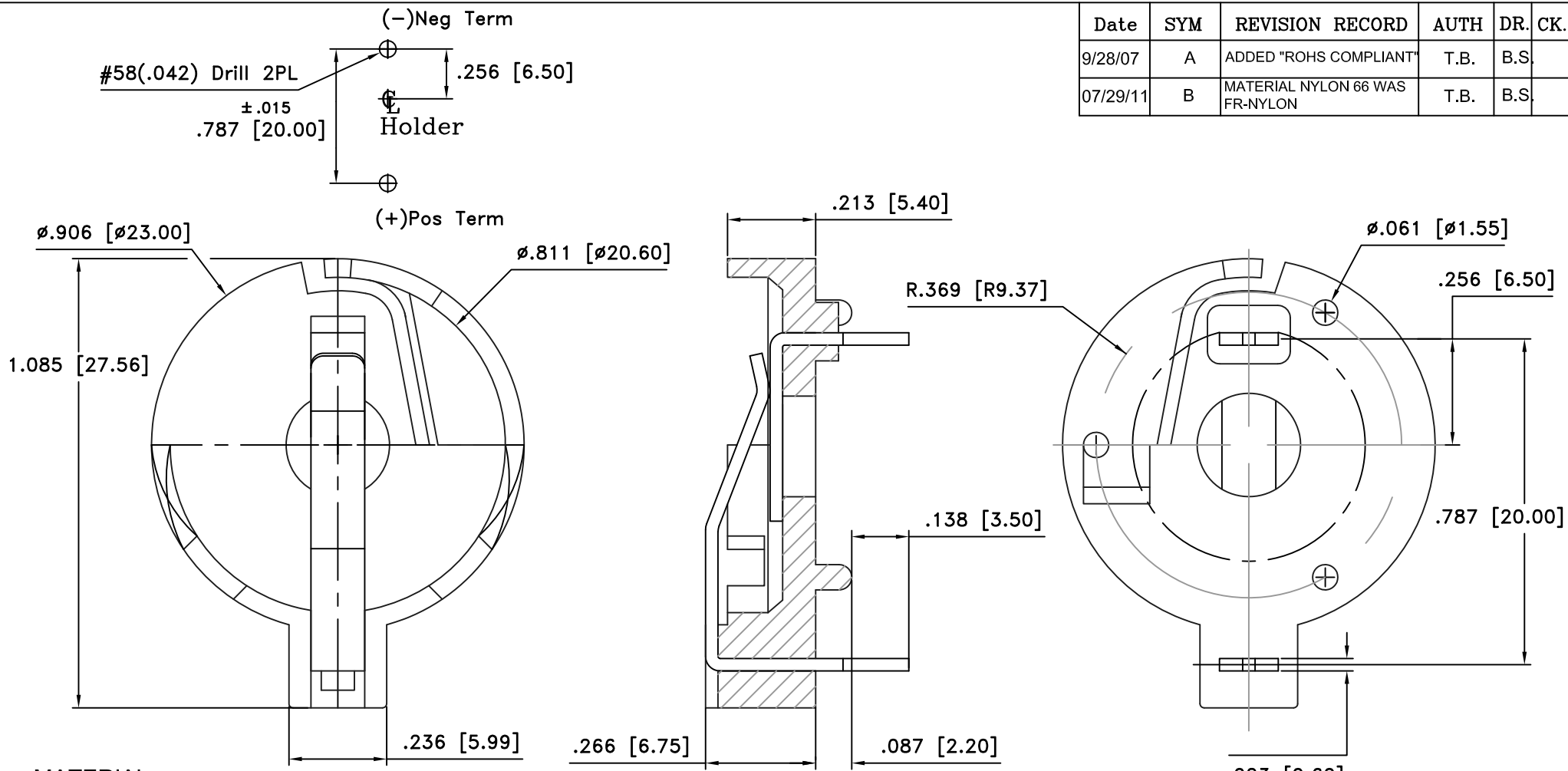



Date	SYM	REVISION RECORD	AUTH	DR.	CK.
9/28/07	A	ADDED "ROHS COMPLIANT"	T.B.	B.S.	
07/29/11	B	MATERIAL NYLON 66 WAS FR-NYLON	T.B.	B.S.	



MATERIAL
 BODY: NYLON 66 WITH 30% GLASS FILLED, UL FILE NO. E196894)
 FLAMMABILITY RATING: UL94V-0
 CONTACT: PHOSPHOR BRONZE

FINISH
 CONTACT: NICKEL PLATED

SPECIFICATIONS
 APPLICATION FOR 3V LITHIUM BATTERY
 INSULATOR RESISTANCE: 5000 MΩ MIN.
 OPERATION TEMPERATURE: -40°C TO +200°C
 DURABILITY: 50 CYCLES MIN
 CONTACT RESISTANCE: 30 MΩ MAX
 ROHS COMPLIANT

Tolerance (Except as noted)	 Memory protection Devices, Inc 200 Broad Hollow Road, Farmingdale, New York 11735		
decimal		Scale	Drawn By B.S.
±.5 (.020)		4=1	Approved By T.B.
Fractional	Title		
± .8 (.030)	BR/CR 2032 COIN BATTERY HOLDER W/RETAINER ARM		
Angular	Date	Drawing Number	
± 3°	07/29/11	BS-3	