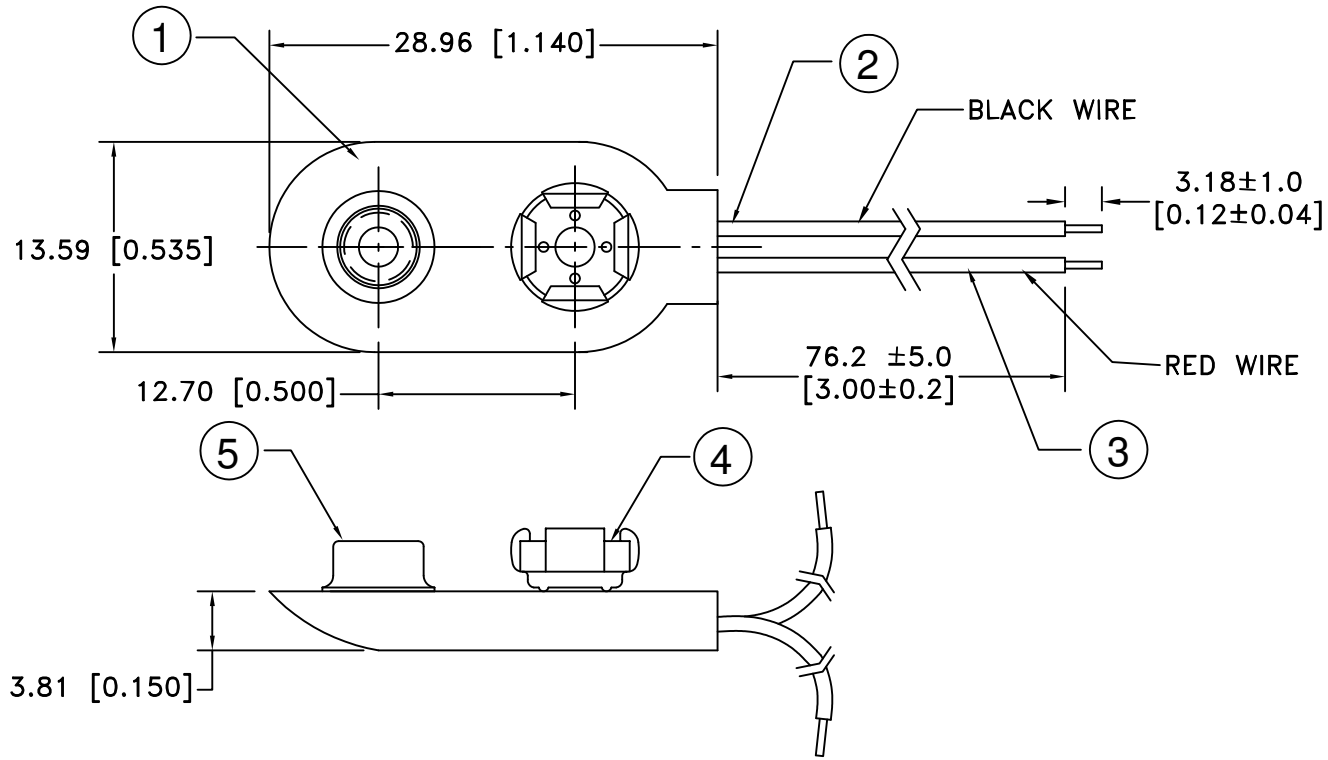


Date	SYM	REVISION RECORD	AUTH	DR.	CK.
7/21/07	A	ADDED "ROHS COMPLIANT"	T.B.	B.S.	



ROHS COMPLIANT

N0.	PART NAME	MATERIAL	QTY.	Tolerance (Except as noted)	Memory Protection Devices, Inc 200 Broad Hollow Road, Farmingdale, New York 11735		
1	COVER	PVC COVER OVER FIBERBOARD	1	decimal ±.5 (.020)	Scale	Drawn By B.S.	
2	BLACK WIRE(-)	24 AWG, UL-1007, CSA TR-64, 300V, 80°C	1			Approved By T.B.	
3	RED WIRE (+)	24 AWG, UL-1007, CSA TR-64, 300V, 80°C	1	Fractional ± .8 (.030)	Title 9 VOLT BATTERY SNAP-I STYLE, HEAVY DUTY, 3" WIRE LEADS		
4	FEMALE SNAP	PHOSPHOR BRONZE, NICKLE PLATED, HEAVY DUTY	1		Date 7/21/07	Drawing Number BS3I-HD	
5	MALE SNAP	BRASS NICKLE PLATED	1		Angular ± 3°		