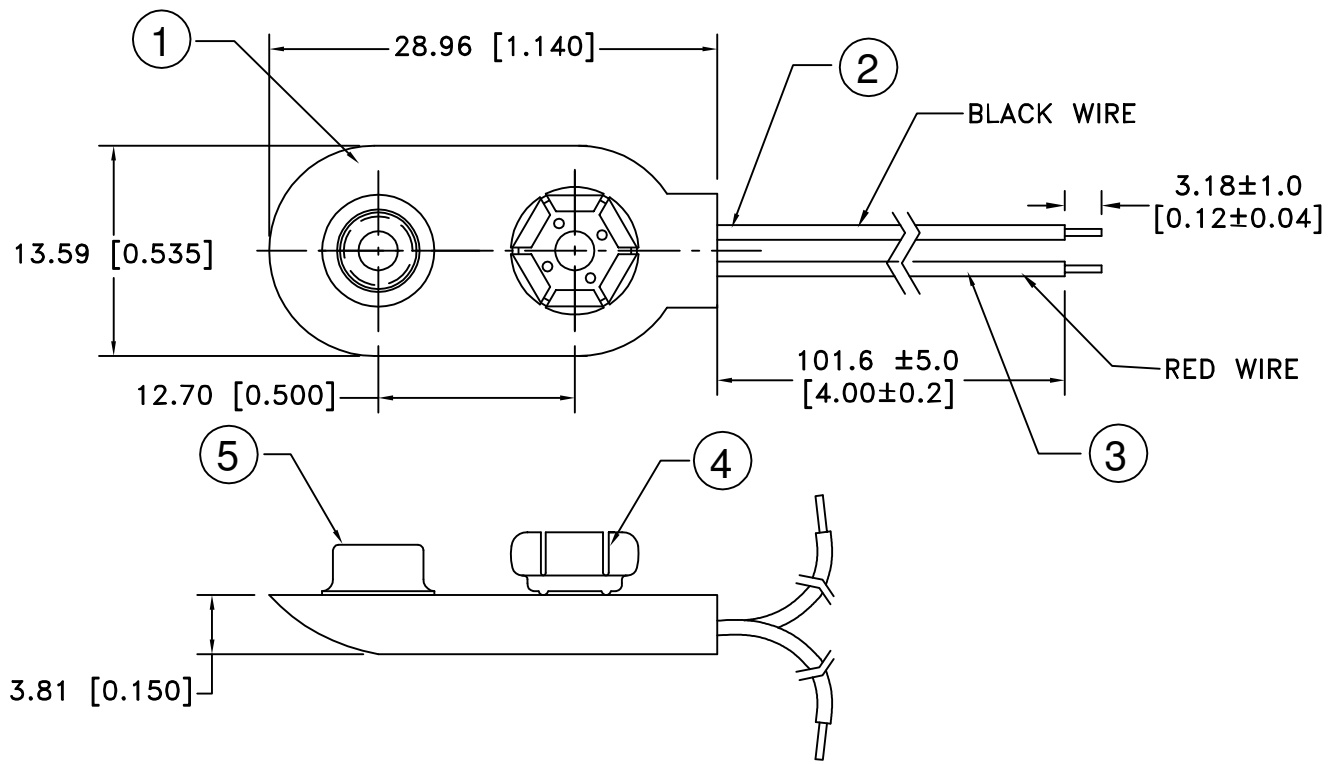



Date	SYM	REVISION RECORD	AUTH	DR.	CK.
2/25/06	A	ADDED "ROHS COMPLIANT"	T.B.	B.S.	



ROHS COMPLIANT

N0.	PART NAME	MATERIAL	QTY.	Tolerance (Except as noted)	 <b>Memory Protection Devices, Inc</b> 200 Broad Hollow Road, Farmingdale, New York 11735		
1	COVER	PVC COVER OVER FIBERBOARD	1	decimal	Scale	Drawn By B.S.	
2	BLACK WIRE(-)	24 AWG OR 26 AWG, UL-1007, CSA TR-64, 300V, 80 °C	1			Approved By T.B.	
3	RED WIRE (+)	24 AWG OR 26 AWG, UL-1007, CSA TR-64, 300V, 80 °C	1	±.5 (.020)	Title	9 VOLT BATTERY SNAP-I STYLE-4" WIRE LEADS	
4	FEMALE SNAP	BRASS, NICKLE PLATED	1	Fractional		Date	Drawing Number
5	MALE SNAP	BRASS NICKLE PLATED	1	± .8 (.030)	2/25/06	BS4I	
				Angular			
				± 3°			