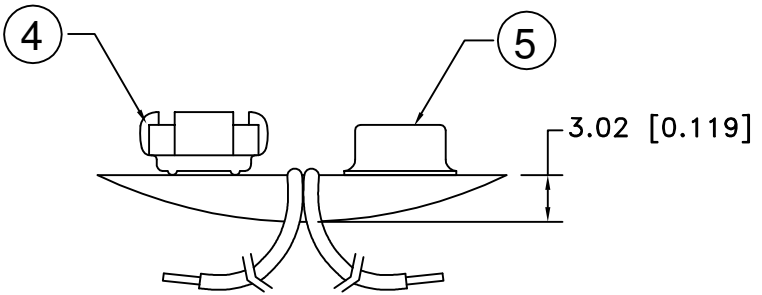
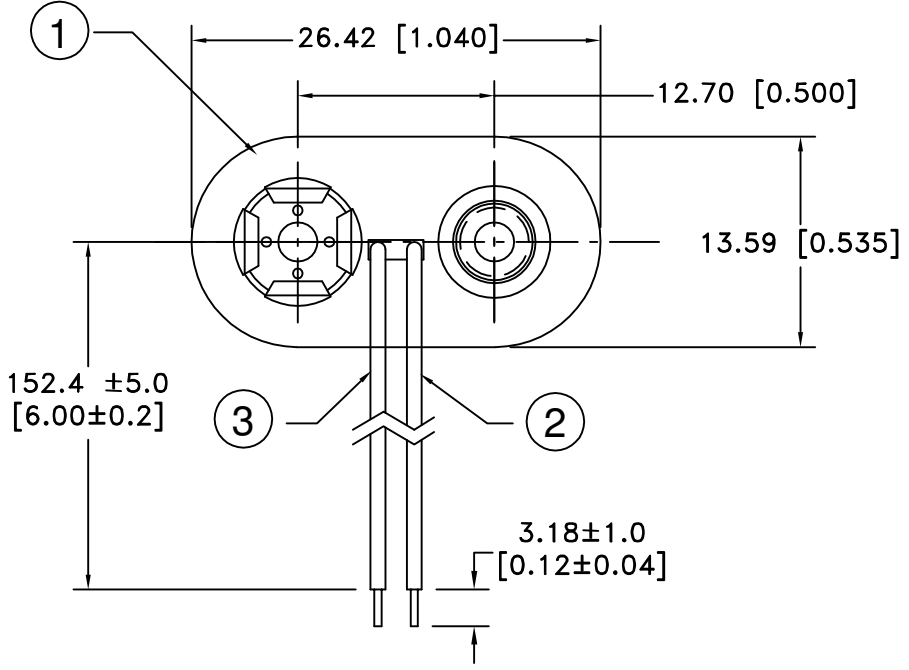



Date	SYM	REVISION RECORD	AUTH	DR.	CK.
4/22/06	A	Added "ROHS COMPLIANT"	T.B.	B.S.	



ROHS COMPLIANT

NO.	PART NAME	MATERIAL	QTY.
1	COVER	PVC COVER OVER FIBERBOARD	1
2	BLACK WIRE(-)	24 AWG, UL-1007, CSA TR-64, 300V, 80°C	1
3	RED WIRE (+)	24 AWG, UL-1007, CSA TR-64, 300V, 80°C	1
4	FEMALE SNAP	PHOSPHOR BRONZE, NICKLE PLATED, HEAVY DUTY	1
5	MALE SNAP	BRASS NICKLE PLATED	1

	Memory Protection Devices, Inc 200 Broad Hollow Road, Farmingdale, New York 11735	
	Tolerance (Except as noted) decimal $\pm .5 (.020)$	Scale Drawn By B.S. Approved By T.B.
Fractional $\pm .8 (.030)$	Title 9 VOLT BATTERY SNAP-T STYLE, HEAVY DUTY, 6" WIRE LEADS	
Angular $\pm 3^\circ$	Date 4/22/06	Drawing Number BS6T-HD