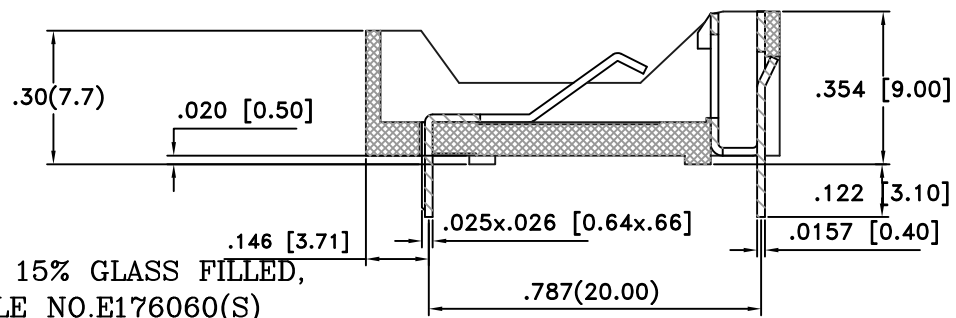
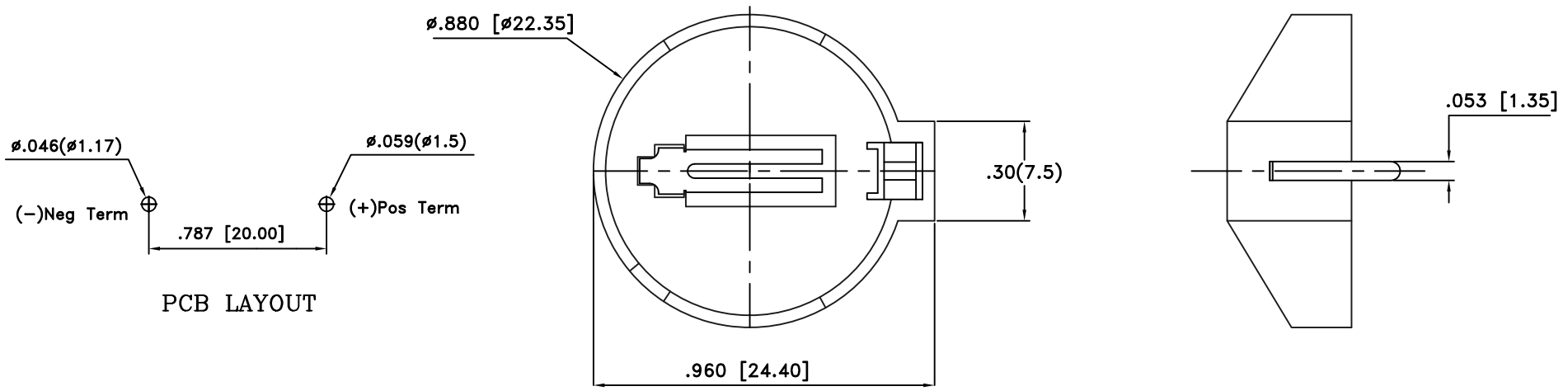



Date	SYM	REVISION RECORD	AUTH	DR.	CK.
10/22/05	C	ADDED "ROHS COMPLIANT"	T.B.	B.S.	
04/12/12	D	DIM. 0.046 WAS 0.04	T.B.	B.S.	
05/04/12	E	REMOVED THE SOLDER DIPPED TAILS FROM NOTES	T.B.	B.S.	



MATERIAL
 BODY: FR-NYLON WITH 15% GLASS FILLED,
 UL94V-0, UL FILE NO.E176060(S)
 CONTACT: PHOSPHOR BRONZE

FINISH
 CONTACT: NICKEL PLATED OVERALL

SPECIFICATIONS
 APPLICATION FOR 3V LITHIUM BATTERY, CR2032 OR BR2032
 INSULTOR RESISTANCE: 5000 MΩ MIN.
 OPERATION TEMPERATURE: -55°C TO +105°C
 DURABILITY: 50 CYCLES MIN
 CONTACT RESISTANCE: 30 MΩ MAX
 ROHS COMPLIANT

Tolerance (Except as noted)	 Memory protection Devices, Inc 200 Broad Hollow Road, Farmingdale, New York 11735	Scale 4=1	Drawn By T.S.
			Approved By T.B.
decimal ±.5 (.020)	Title CR2032 BATTERY HOLDER WITH EASY RELEASE CLIP		
Fractional ± .8 (.030)		Date 05/04/12	Drawing Number BS-7
Angular ± 3°			