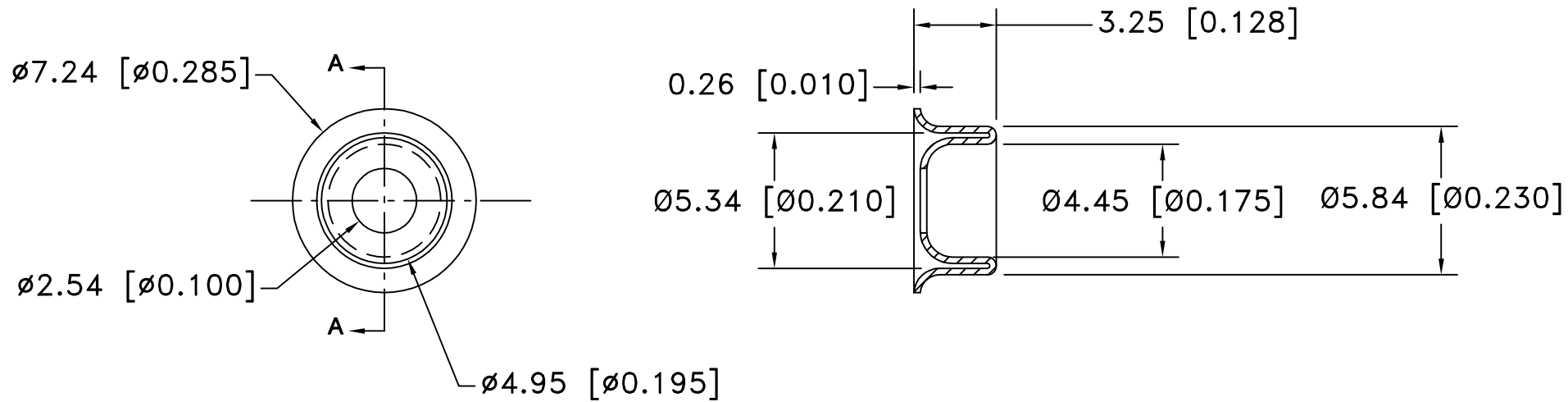



Date	SYM	REVISION RECORD	AUTH	DR.	CK.
4/15/06	A	ADDED "ROHS COMPLIANT"	T.B.	B.S.	



NOTES:
MATERIAL: BRASS, NICKLE PLTD.
ROHS COMPLIANT

Tolerance (Except as noted)	 Memory Protection Devices, Inc 200 Broad Hollow Road, Farmingdale, New York 11735	Scale	Drawn By B.S.
decimal $\pm .5$ (.020)		Approved By T.B.	
Fractional $\pm .8$ (.030)	Title BATTERY SNAP MALE		
Angular $\pm 3^\circ$	Date 4/15/06	Drawing Number BSM	