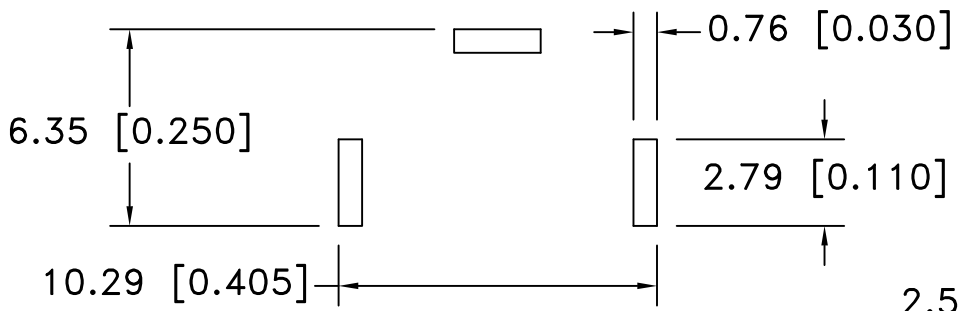
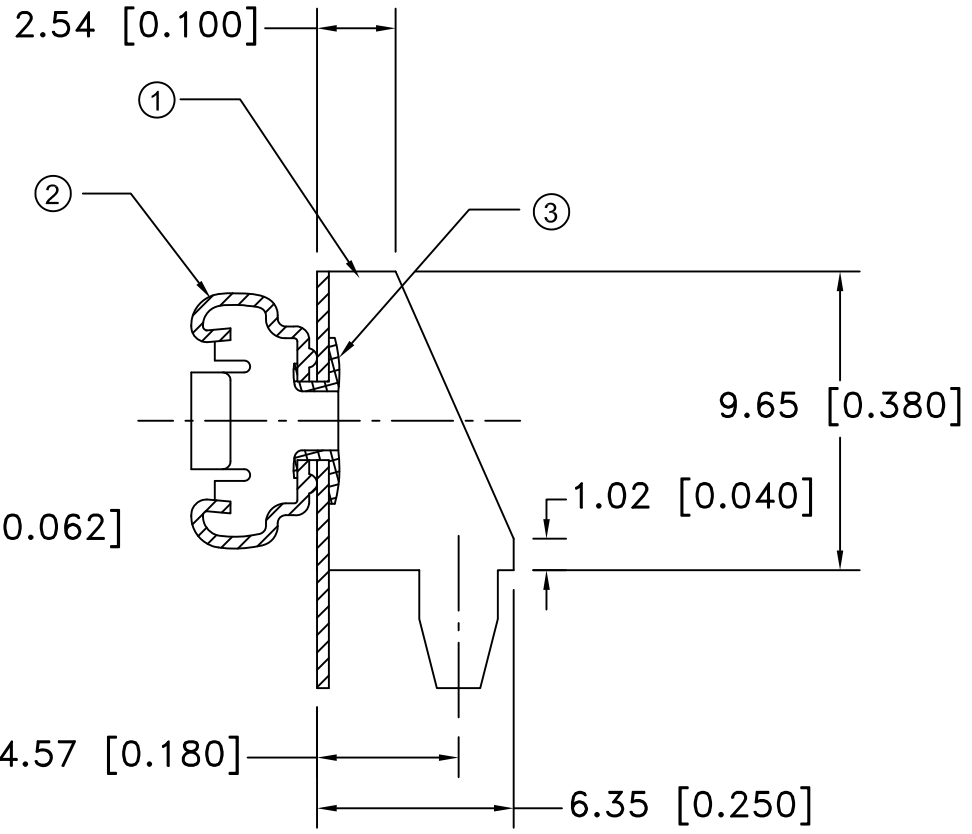
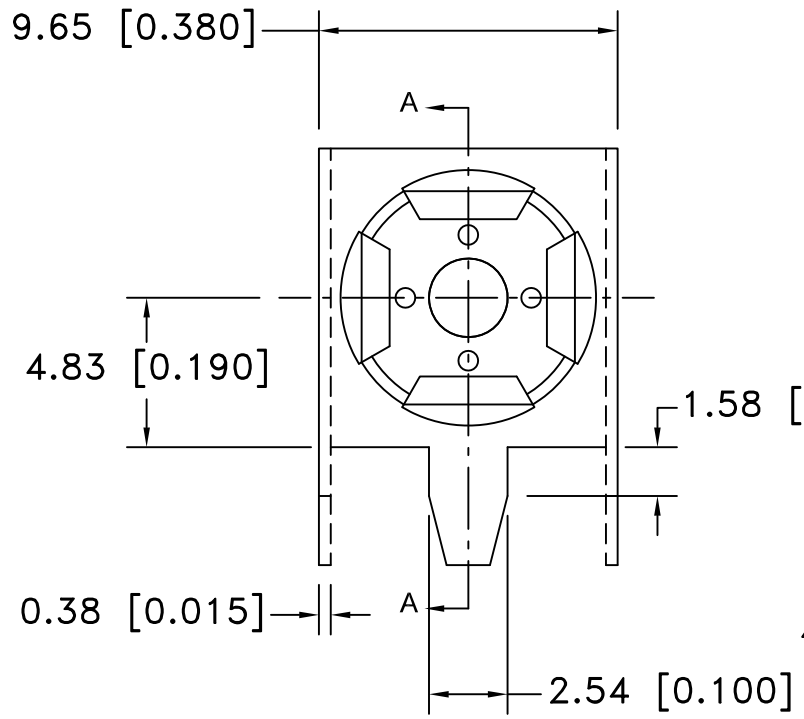



Date	SYM	REVISION RECORD	AUTH	DR.	CK.
5/26/07	A	ADDED "ROHS COMPLIANT"	T.B.	B.S.	
6/14/13	B	CHANGED PCB LAYOUT TO SLOT	T.B.	B.S.	



PCB LAYOUT



N0.	PART NO.	PART NAME	MATERIAL	QTY.
1		FRAME	STEEL-TIN PLTD	1
2	BSF-HD	FEMALE SNAP	BRASS, NICKLE PLATED	1
3	BSR	RIVET	BRASS NICKLE PLATED	1

Tolerance (Except as noted)	 <b>Memory Protection Devices, Inc</b> 200 Broad Hollow Road, Farmingdale, New York 11735	
	decimal	Scale
±.5 (.020)		Drawn By B.S.
Fractional	Title	
± .8 (.030)	9 VOLT FEMALE PRINTED CIRCUIT SNAP-ONS	
Angular	Date	Drawing Number
± 3°	6/14/13	BSPCF

**ROHS 2 COMPLIANT**