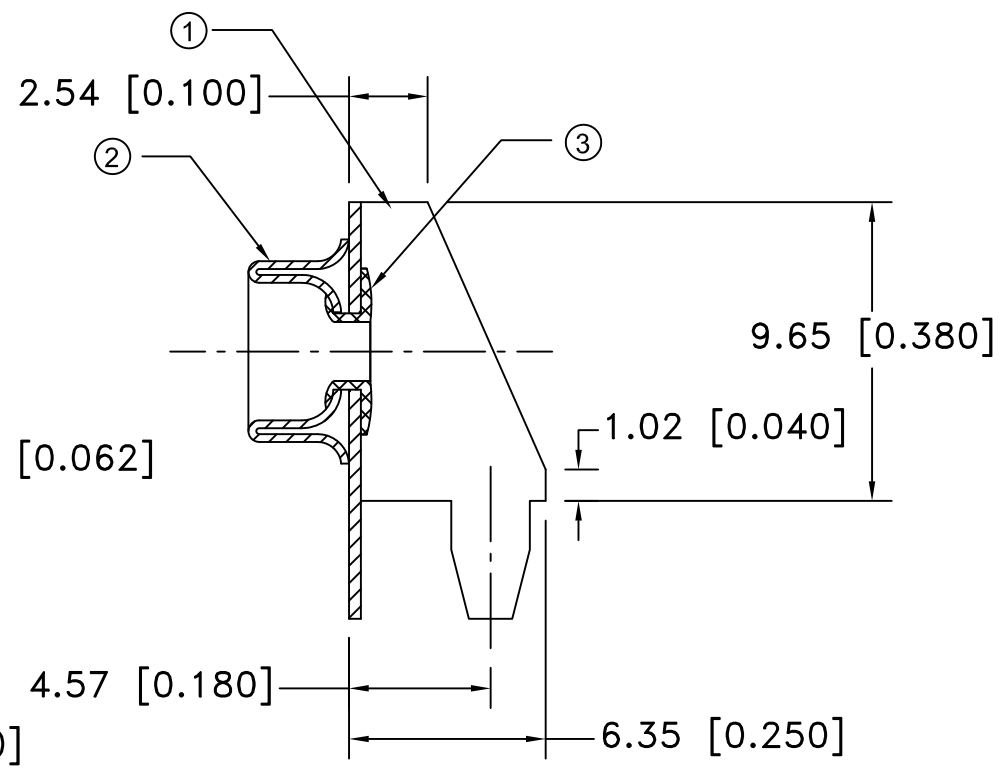
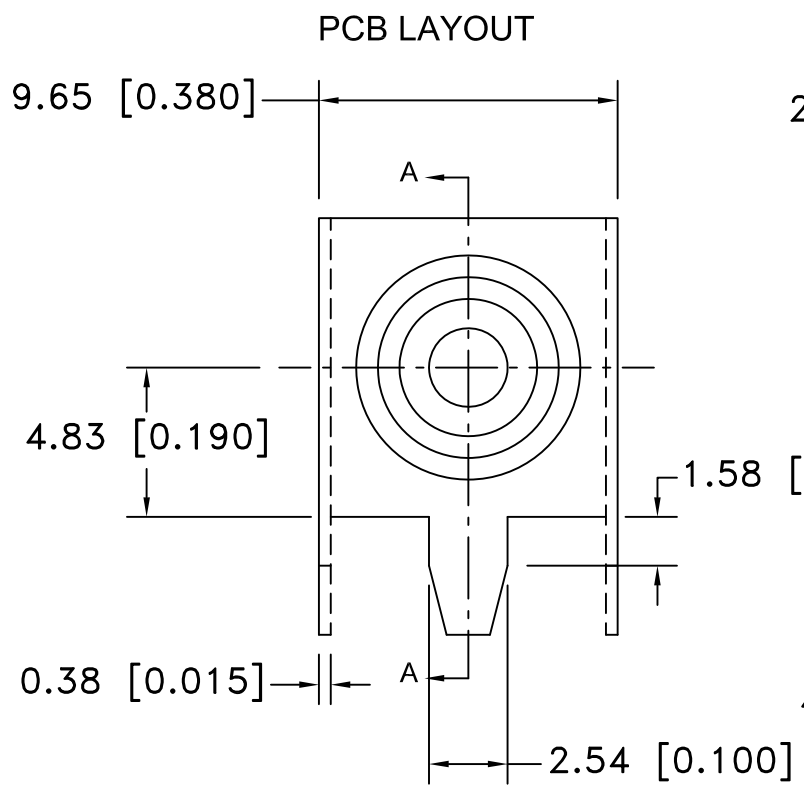
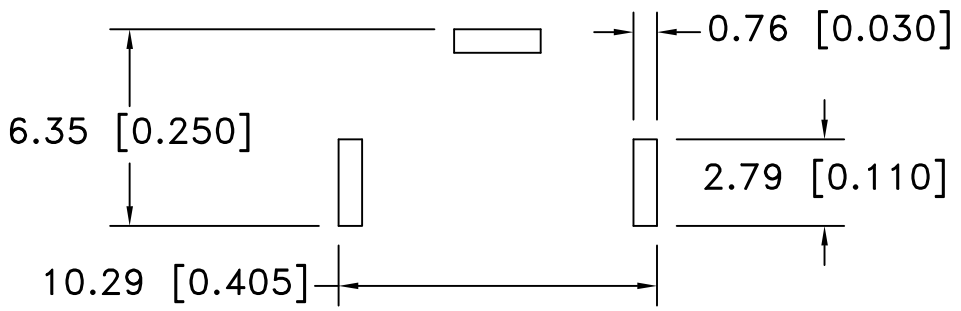



Date	SYM	REVISION RECORD	AUTH	DR.	CK.
5/26/07	A	ADDED "ROHS COMPLIANT"	T.B.	B.S.	
6/14/13	B	CHANGED PCB LAYOUT TO SLOT	T.B.	B.S.	



N0.	PART NO.	PART NAME	MATERIAL	QTY.
1		FRAME	STEEL-TIN PLTD	1
2	BSM	MALE SNAP	BRASS, NICKLE PLATED	1
3	BSR	RIVET	BRASS NICKLE PLATED	1

ROHS 2 COMPLIANT	Tolerance (Except as noted)		 Memory Protection Devices, Inc 200 Broad Hollow Road, Farmingdale, New York 11735	
	decimal $\pm .5$ (.020)	Scale	Drawn By B.S. Approved By T.B.	
	Fractional $\pm .8$ (.030)	Title 9 VOLT MALE PRINTED CIRCUIT SNAP-ONS		
	Angular $\pm 3^\circ$	Date 6/14/13	Drawing Number BSPCM	