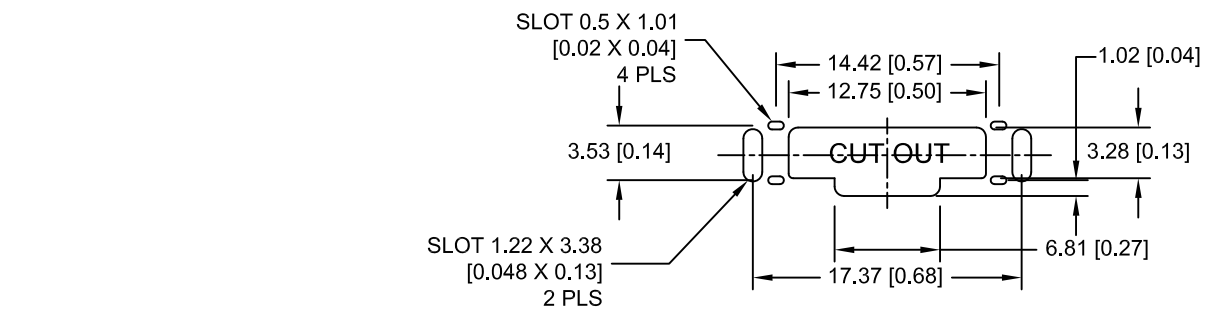
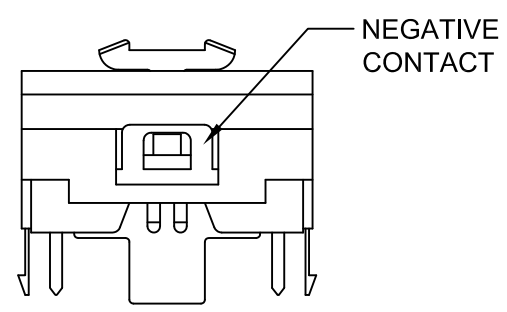
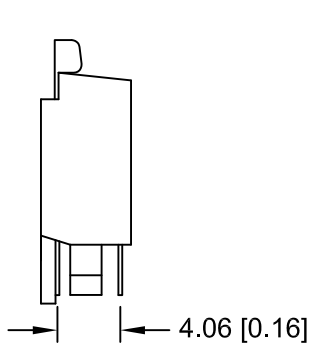
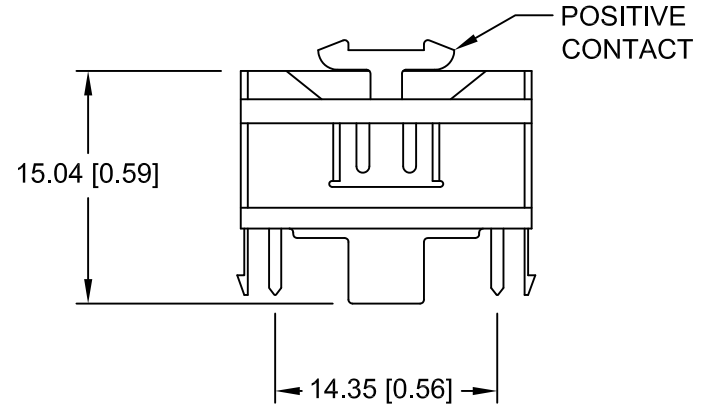
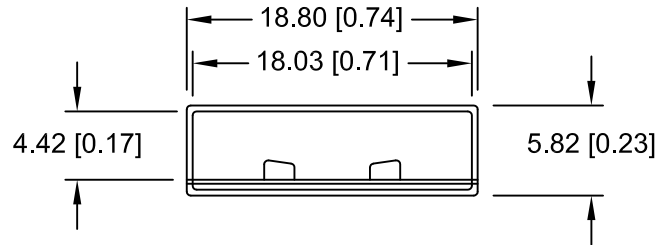


Date	SYM	REVISION RECORD	AUTH	DR.	CK.



PCB LAYOUT



NOTES:

1. MATERIAL:

HOUSING: NYLON 66, 33% GLASS FILLED, FILE NO. E41938, UL94-HB

CONTACTS: 0.010" PHOS. BRONZE, GOLD FLASH OVER NICKEL PLATE

TEMPERATURE RANGE: -40°C TO +220°C


* VIBRATION TEST: 10-50-10 HZ SWEEPED IN 60 SECONDS X,Y,Z DIRECTION: 1 HOUR EACH DIRECTION

* RESULT: NO DISLODGE MENT OF THE CELL OR DAMAGE NO DISCONTINUITY OVER 10 MICRO-SECONDS

* SHOCK TEST: HALF SINE WAVE ACCELERATION 150G. 6 MICRO-SECONDS 3 SHOCK PULSES EACH DIRECTION PER AXIS, TOTAL OF 18 PULSES

* RESULT: NO EVIDENCE OF PHYSICAL DAMAGE

* ROHS COMPLIANT

Tolerance (Except as noted)	 Memory Protection Devices, Inc 200 Broad Hollow Road, Farmingdale, New York 11735	Scale	Drawn By B.S.
			Approved By T.B.
decimal ±.5 (.020)	Title CR1632 VERTICAL CELL HOLDER	Date 3/05/10	Drawing Number BV-1632-G
Fractional ± .8 (.030)			
Angular ± 3°			