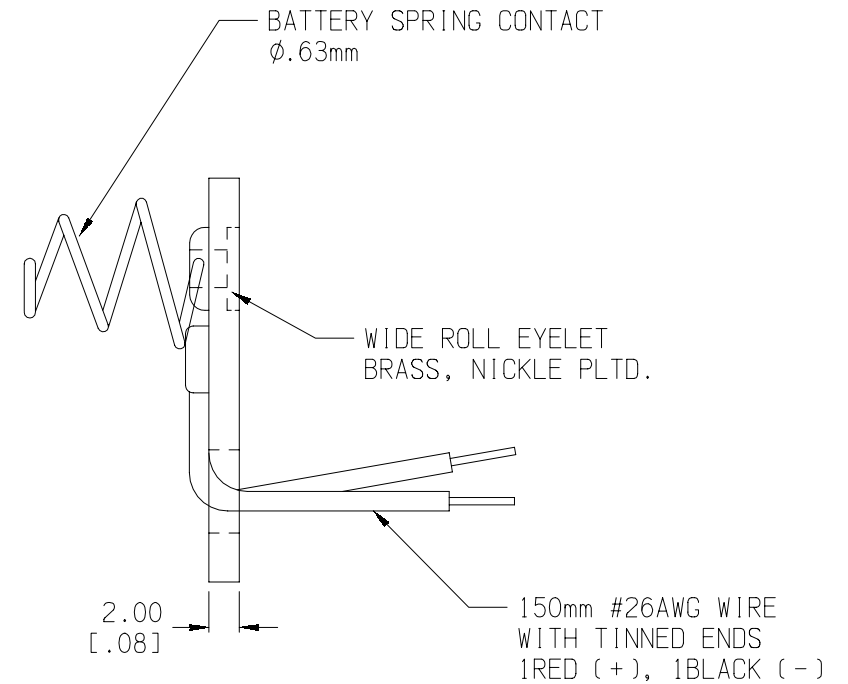
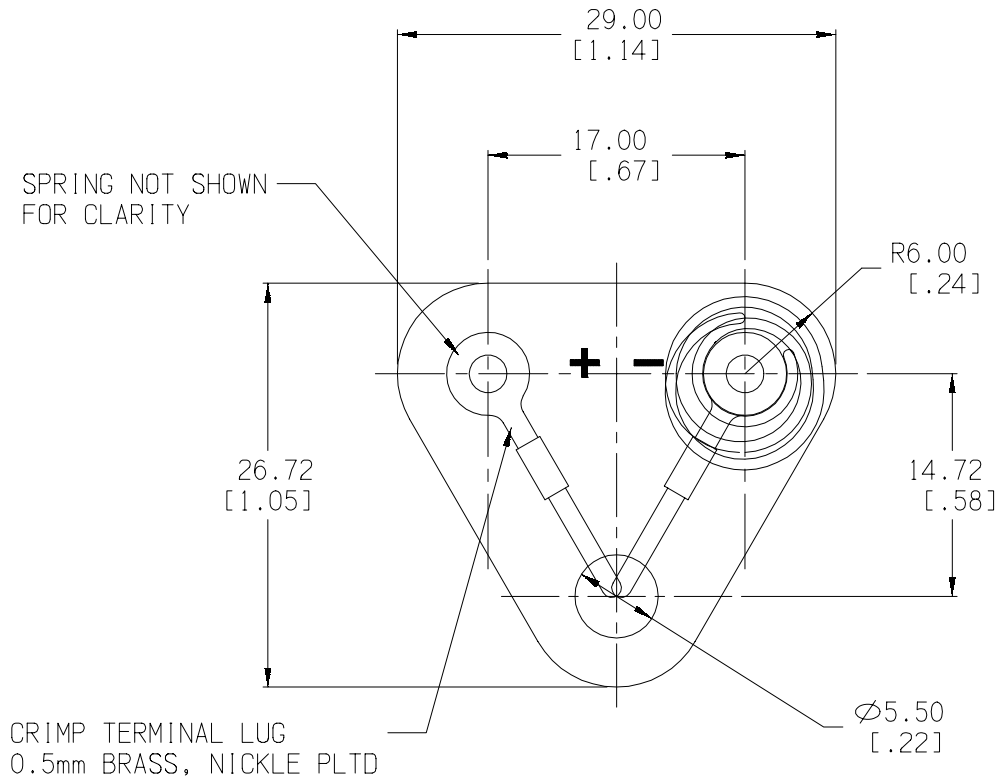



Date	SYM	REVISION RECORD	AUTH	DR.	CK.



NOTES:

MATERIAL:

PLATE: POLYPROPYLENE WITH 10% TALC
 SPRING: SPRING TEMPER STAINLESS STEEL, NICKLE PLATED
 WIRE: UL1007, CSA-TR64, 80°C, 300V

Tolerance (Inches)	 Memory Protection Devices, Inc. 200 Broad Hollow Road, Farmingdale, New York 11735		
Decimal ±.5 (.020)	Scale	Drawn By B.S. Approved By T.B.	
Fractional ± .8 (.030)	Title ELECTRICAL PLATE WITH SPRINGS AND WIRES		
Angular ± 3°	Date 03/20/01	Drawing Number DU1-M-306	