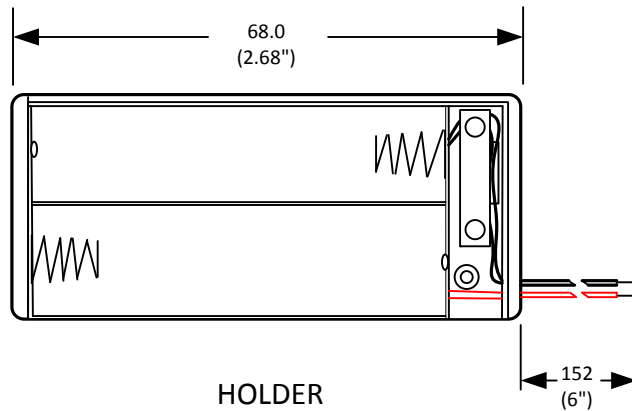
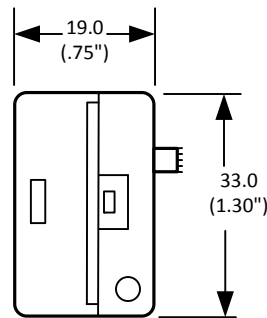


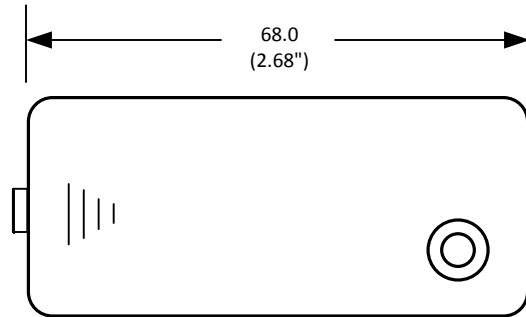
DATE	SYM	REVISION RECORD	AUTH	DR.	CK.
4/22/06	A	ADDED "ROHS COMPLIANT"	T.B.	B.S.	
08/17/12	B	ADDED FLAMMABILITY RATING AND TEMP. RANGE	T.B.	B.S.	
02/22/13	C	DIM. 68.0 WAS 68.5, DIM. 33.0 WAS 48.5, DIM. 19.0 WAS 18.5 UPDATED TO ROHS 2 COMPLIANT	T.B.	B.S.	
05/17/13	D	UPDATED SPECIFICATION	T.B.	B.S.	



HOLDER



END VIEW



COVER

SPECIFICATIONS:

ITEM NO. : SBH-321AS

WIRE : UL 1007, #26 AWG

BLACK & RED : 150 MM ± 5MM

STRIP & TIN : 5 MM ± 1MM

MATERIAL: A.B.S. RESIN, UL94-HB

BLACK COLOR

SPRING : .6 MM 65C SPRING WIRE

TEMPERATURE RANGE: -40°F TO +170°F


DESCR. : FOR TWO "AA" CELLS WITH

SLIDING SWITCH, COVER & SCREW

SERIES CONNECTION, 3.0 VOLTS

ROHS 2 COMPLIANT

Note: Dimensions in mm. (inches)

TOLERANCES (EXCEPT AS NOTED)	 Memory Protection Devices, Inc. 200 Broad Hollow Road, Farmingdale, New York 11735		
DECIMAL + .5 (.020) - .5 (.020)	SCALE	DRAWN BY S.C.	
FRACTIONAL + .8 (.030) - .8 (.030)	APPROVED BY		
ANGULAR + 3° - 3°	DATE 05/17/13	DRAWING NUMBER SBH-321AS	
TITLE 2 CELL AA HOLDER WITH COVER & SWITCH			