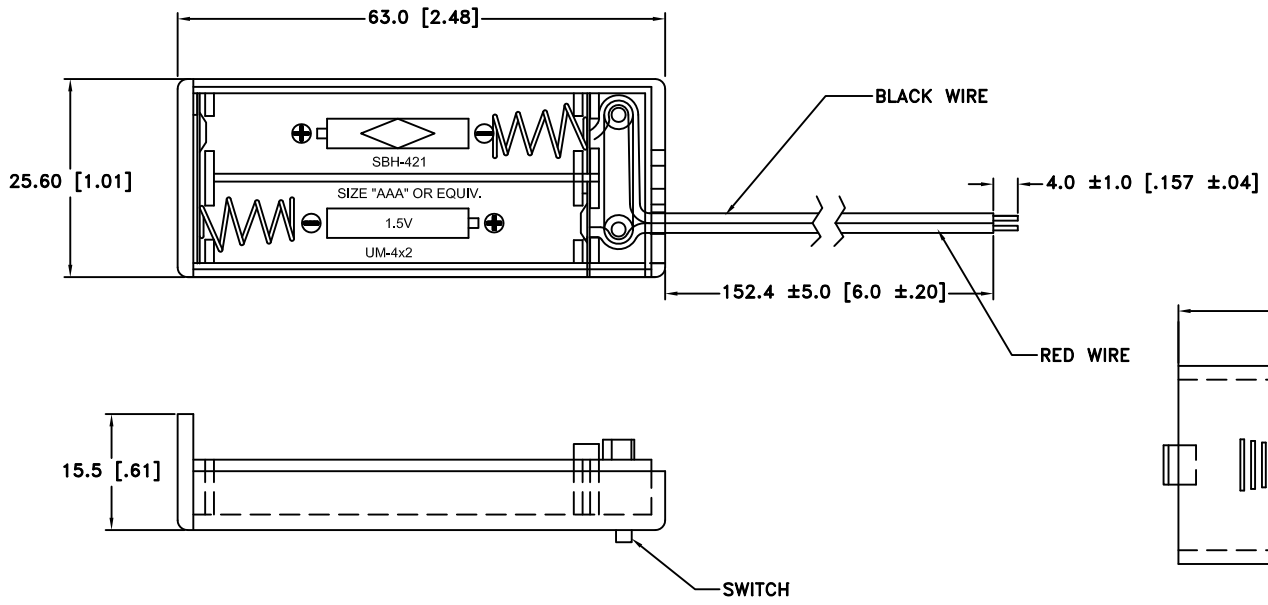
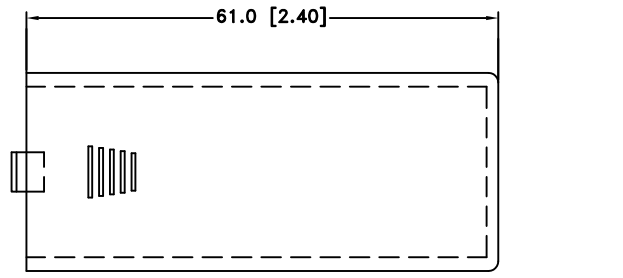


Date	SYM	REVISION RECORD	AUTH	DR.	CK.
04/15/11	A	Updated Title	T.B.	B.S.	
03/15/13	B	Updated to ROHS 2 compliant	T.B.	B.S.	



### BOTTOM-HOUSING




### TOP COVER

NOTES:

- ITEM NO. SBH-421AS
- MATERIAL:
  - HOUSING AND COVER: BLACK ABS
  - WIRE: UL1007, AWG #26, BLACK AND RED-152.4mm LONG, STRIPPED AND TINNED- 5mm LONG
  - SPRING: 0.5mm, 65C, SPRING WIRE

ROHS 2 COMPLIANT

Tolerance (Except as noted)	 <b>Memory Protection Devices, Inc</b> 200 Broad Hollow Road, Farmingdale, New York 11735		
decimal ±.5 (.020)	Scale	Drawn By B.S.	
Fractional ± .8 (.030)	Title	Approved By T.B.	
Angular ± 3°	Date	Title	
	03/15/13	2 CELL "AAA" HOLDER WITH COVER AND SWITCH	
	Drawing Number		
		SBH-421AS	