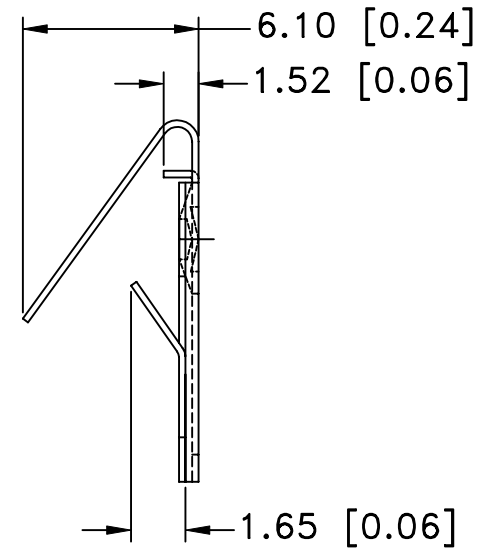
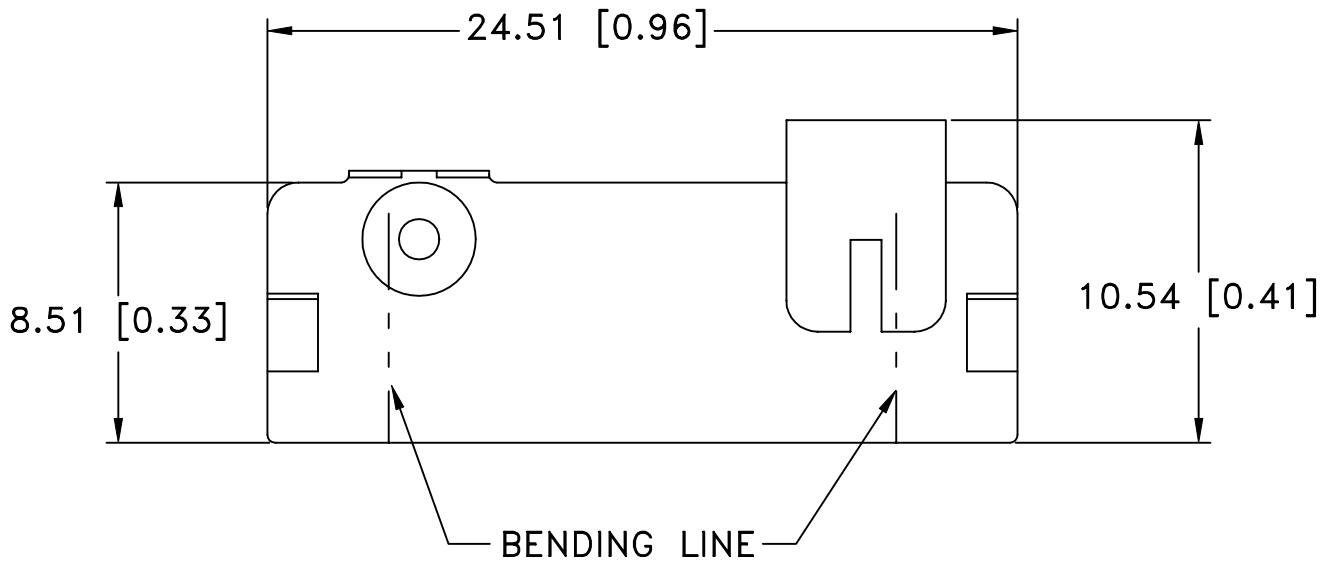



Date	SYM	REVISION RECORD	AUTH	DR.	CK.



NOTES:

1. PHOSPHOR BRONZE, 0.25mm (0.010") THICK. NICKLE PLTD.

Tolerance (Except as noted)	 Memory Protection Devices, Inc 200 Broad Hollow Road, Farmingdale, New York 11735		
decimal ±.5 (.020)		Scale	Drawn By B.S.
Fractional ± .8 (.030)	Title	Approved By T.B.	
Angular ± 3°	Date	Drawing Number	
	04/09/01	SNT702A	