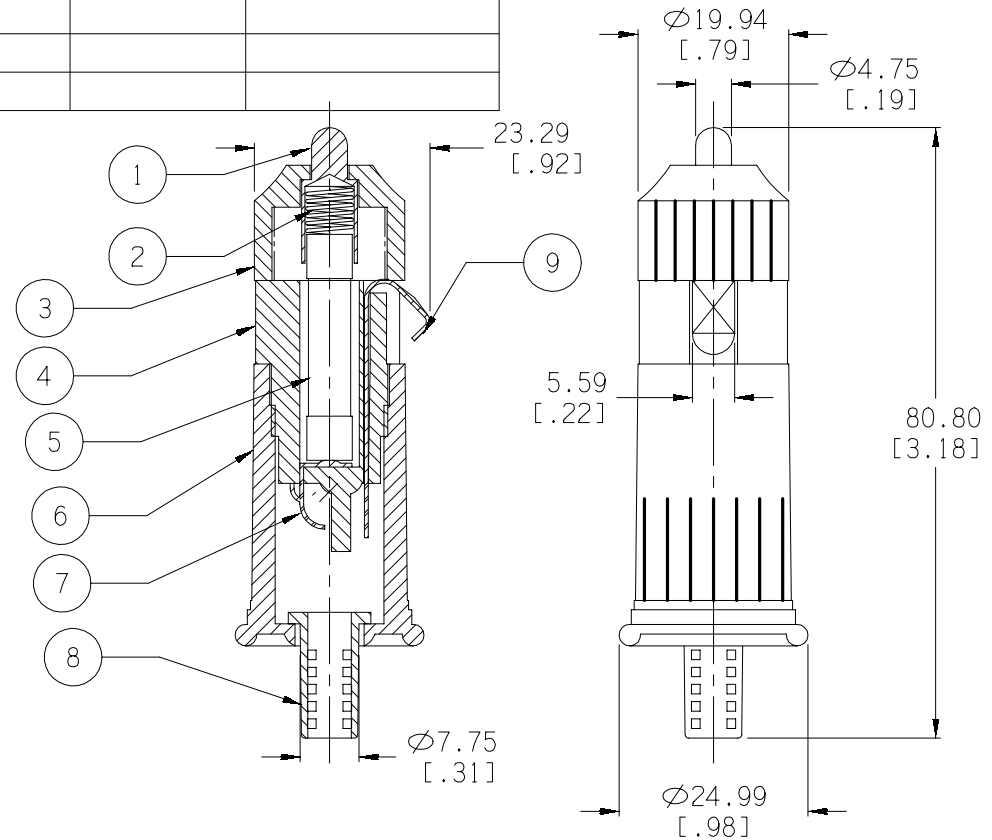



ITEM NO.	PART NAME	MATL. SPECIFICATION	CAT. NO.	APPROVED NO.
1	TIP CONTACT (+) TERMINAL	BRASS, NICKLE PLTD.		
2	SPRING	SW80C		
3	NOSE CAP	BAKELITE, BLACK	T385J	E59481(S)
4	MIDDLE BODY	BAKELITE, BLACK	T385J	E59481(S)
5	FUSE	3AG (6.35 x 30mm), 3amp		
6	BOTTOM BODY	BAKELITE, BLACK	T385J	E59481(S)
7	(+) TERMINAL	NICKLE PLTD		
8	STRAIN RELIEF	PVC, 100%		
9	(-) TERMINAL	BRASS, NICKLE PLTD		

Date	SYM	REVISION RECORD	AUTH	DR.	CK.



Tolerance (Inches)	 Memory Protection Devices, Inc. 200 Broad Hollow Road, Farmingdale, New York 11735		
Decimal ±.5 (.020)		Scale	Drawn By B.S. Approved By T.B.
Fractional ± .8 (.030)	Title CIGARETTE PLUG FOR 21mm DIA. SOCKETS (INCLUDES FUSE)		
Angular ± 3°	Date 02/10/01	Drawing Number ZA1010	