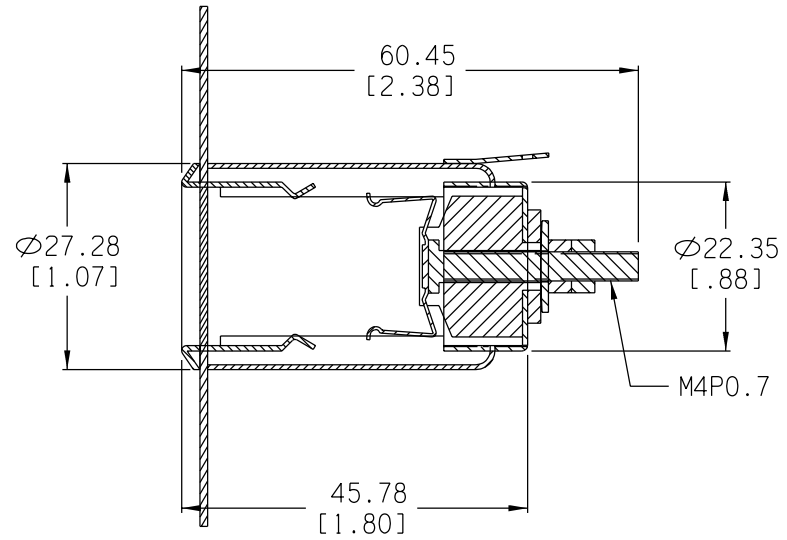
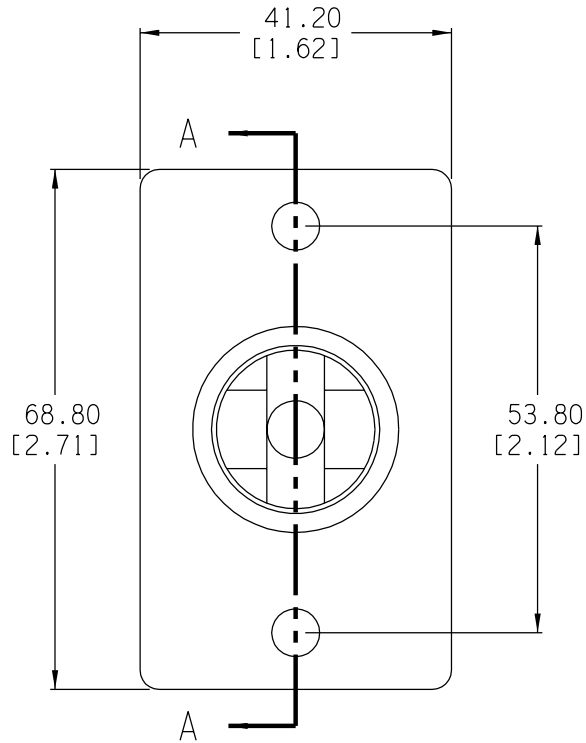



Date	SYM	REVISION RECORD	AUTH	DR.	CK.



Tolerance (Inches)	 Memory Protection Devices, Inc. 200 Broad Hollow Road, Farmingdale, New York 11735		
Decimal ±.5 (.020)	Scale	Drawn By B.S. Approved By T.B.	
Fractional ± .8 (.030)	Title ZA 2060 CIGARETTE SOCKET WITH PANEL		
Angular ± 3°	Date 07/09/05	Drawing Number ZA2040	