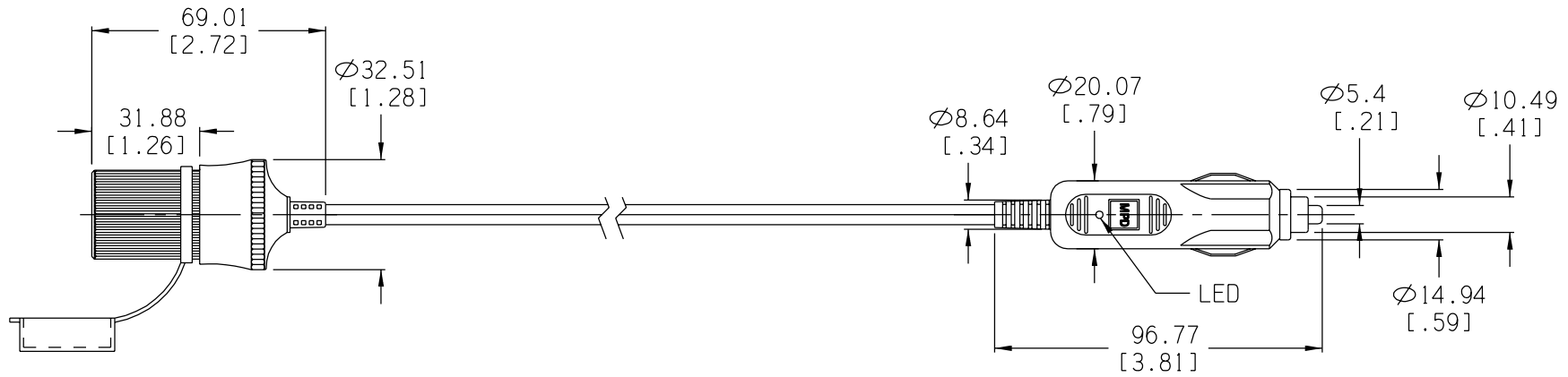


Date	SYM	REVISION RECORD	AUTH	DR.	CK.
1/14/06	A	Added "ROHS COMPLIANT"	T.B.	B.S.	



ROHS COMPLIANT

BILL OF MATERIAL

PART #	QTY.	DESCRIPTION
APP-001	1	CIGARETTE PLUG FOR 21 OR 22.2mm DIA. SOCKETS
ZA2010	1	PLASTIC CIGARETTE SOCKET
FUSE	1	3AG (6.35 x 30mm), 10 AMP.
CORD	1	SPT-1, 18 AWG, 105°C, UL-VW-1
AS-210B	1	PLASTIC COVER, PVC

Tolerance
(Inches)

Decimal
±.5 (.020)
Fractional
± .8 (.030)
Angular
± 3°



Memory Protection Devices, Inc.

200 Broad Hollow Road, Farmingdale, New York 11735

Scale
Drawn By B.S.
Approved By T.B.

Title
12' AUTO EXTENSION CORD SET, 10 AMP. FUSE, RED LED

Date
1/14/06
Drawing Number
ZA5071