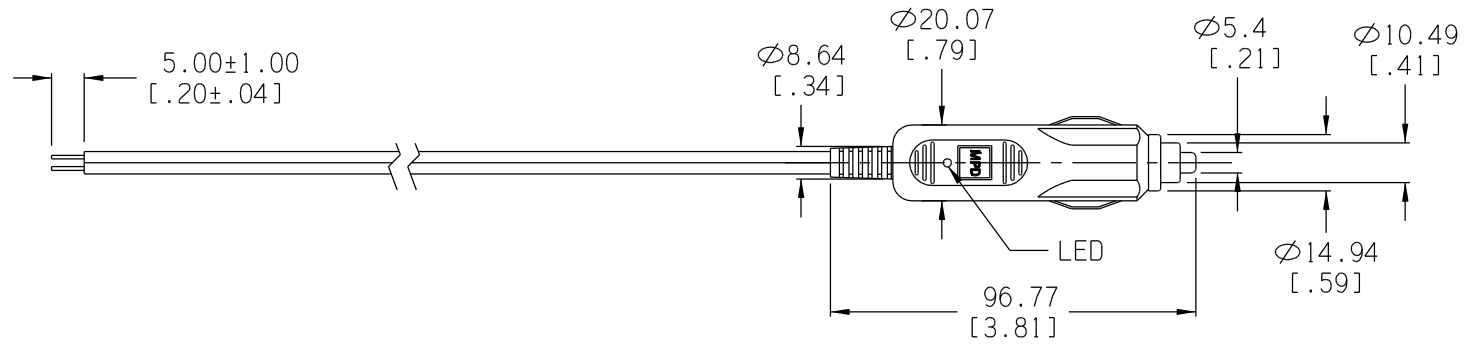


Date	SYM	REVISION RECORD	AUTH	DR.	CK.
5/06/06	A	ADDED "ROHS COMPLIANT"	T.B.	B.S.	



NOTE:
ROHS COMPLIANT

BILL OF MATERIAL

Tolerance
(Inches)



Memory Protection Devices, Inc.

200 Broad Hollow Road, Farmingdale, New York 11735

PART #	QTY.	DESCRIPTION
APP-001	1	CIGARETTE PLUG FOR 21 OR 22.2mm DIA. SOCKETS
FUSE	1	3AG (6.35 x 30mm), 5 AMP.
CORD	1	SPT-1, 18 AWG, 105°C, UL-VW-1

Decimal

Scale

Drawn By B.S.

±.5 (.020)

Approved By T.B.

Fractional
± .8 (.030)

Title

6' AUTO POWER CORD SET WITH SOLDER LEADS

Angular

Date

Drawing Number

± 3°

5/06/06

ZA5073-B