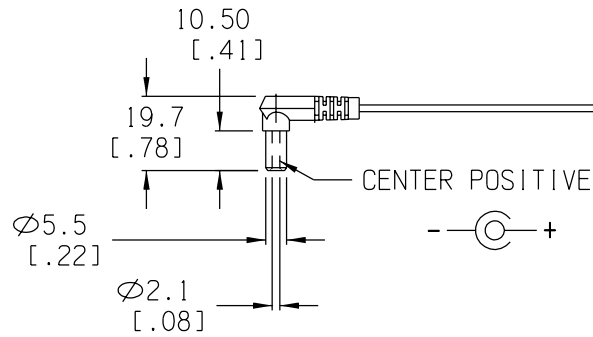
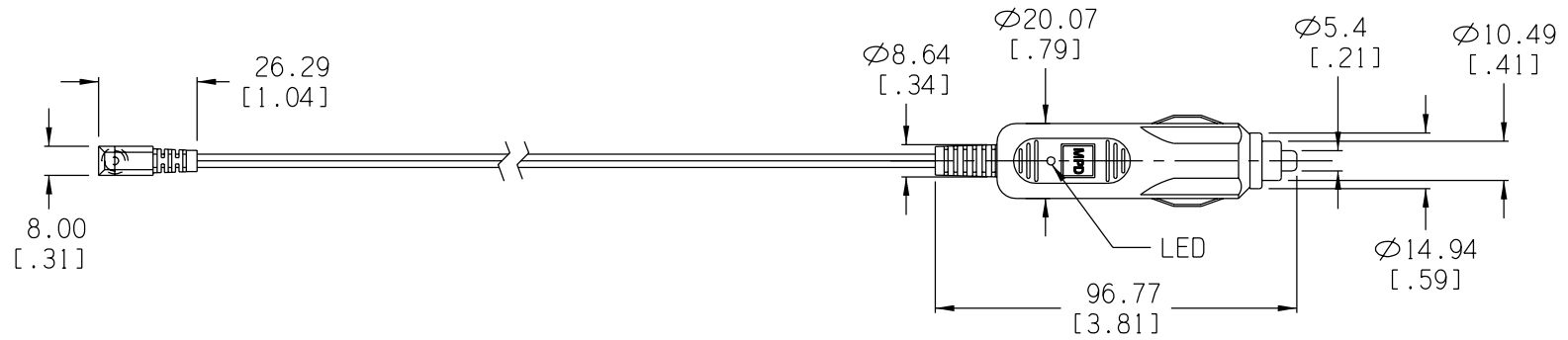


Date	SYM	REVISION RECORD	AUTH	DR.	CK.
10/22/05	A	ADDED "ROHS COMPLIANT"	T.B.	B.S.	




BILL OF MATERIAL

PART #	QTY.	DESCRIPTION
APP-001	1	CIGARETTE PLUG FOR 21 OR 22.2mm DIA. SOCKETS
PLUG	1	DC MOLDED PLUG, 2.1 x 5.5mm
FUSE	1	3AG (6.35 x 30mm), 3 AMP.
CORD	1	UL AWM 2468, 22 AWG, 80°C, UL-VW-1

NOTE:  
ROHS COMPLIANT

Tolerance (Inches)
Decimal
±.5 (.020)
Fractional
± .8 (.030)
Angular
± 3°


**Memory Protection Devices, Inc**  
 200 Broad Hollow Road, Farmingdale, New York 11735

Scale	Drawn By B.S.
Approved By T.B.	
Title AUTO POWER CORD SET, 6' W/3 AMP FUSE, RED LED, RIGHT ANGLE 2.1mm DC PLUG	
Date 10/22/05	Drawing Number ZA5077