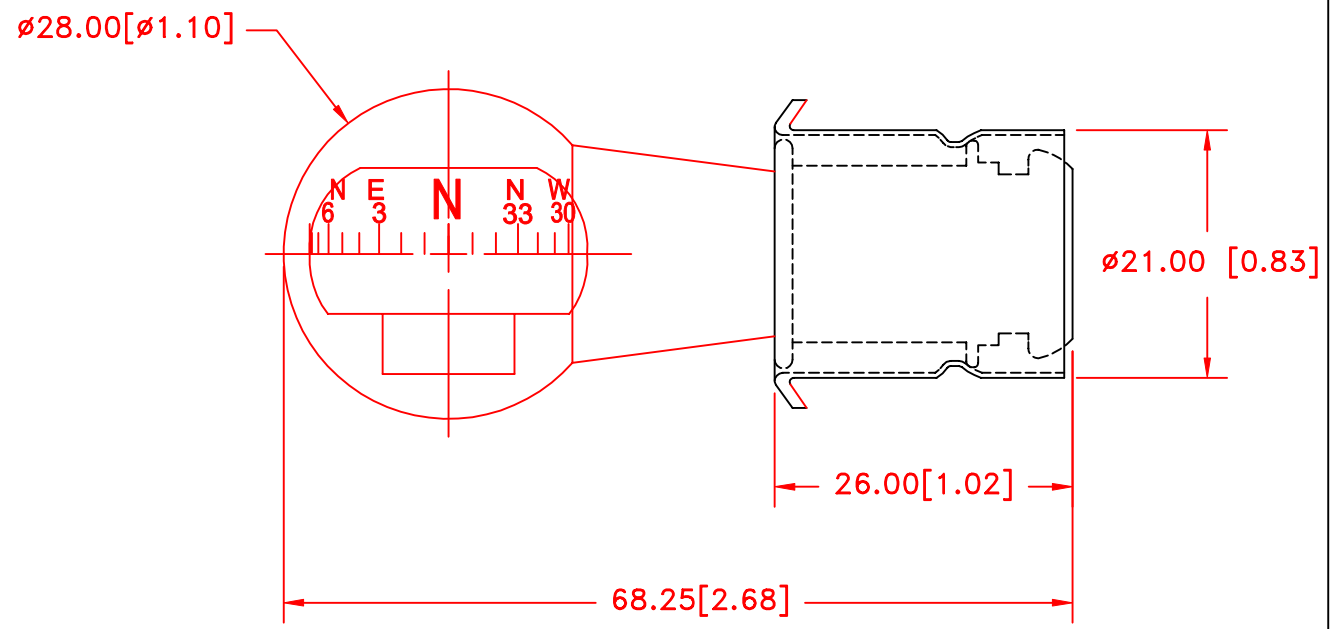



Date	SYM	REVISION RECORD	AUTH	DR.	CK.



Tolerance (Except as noted)		Memory Protection Devices, Inc	
		200 Broad Hollow Road, Farmingdale, New York 11735	
decimal $\pm .5 (.020)$		Scale	Drawn By B.S.
			Approved By T.B.
Fractional $\pm .8 (.030)$	Title	CIGARETTE LIGHTER WITH COMPASS	
Angular $\pm 3^\circ$	Date	Drawing Number	
	09/21/02	ZA6003	