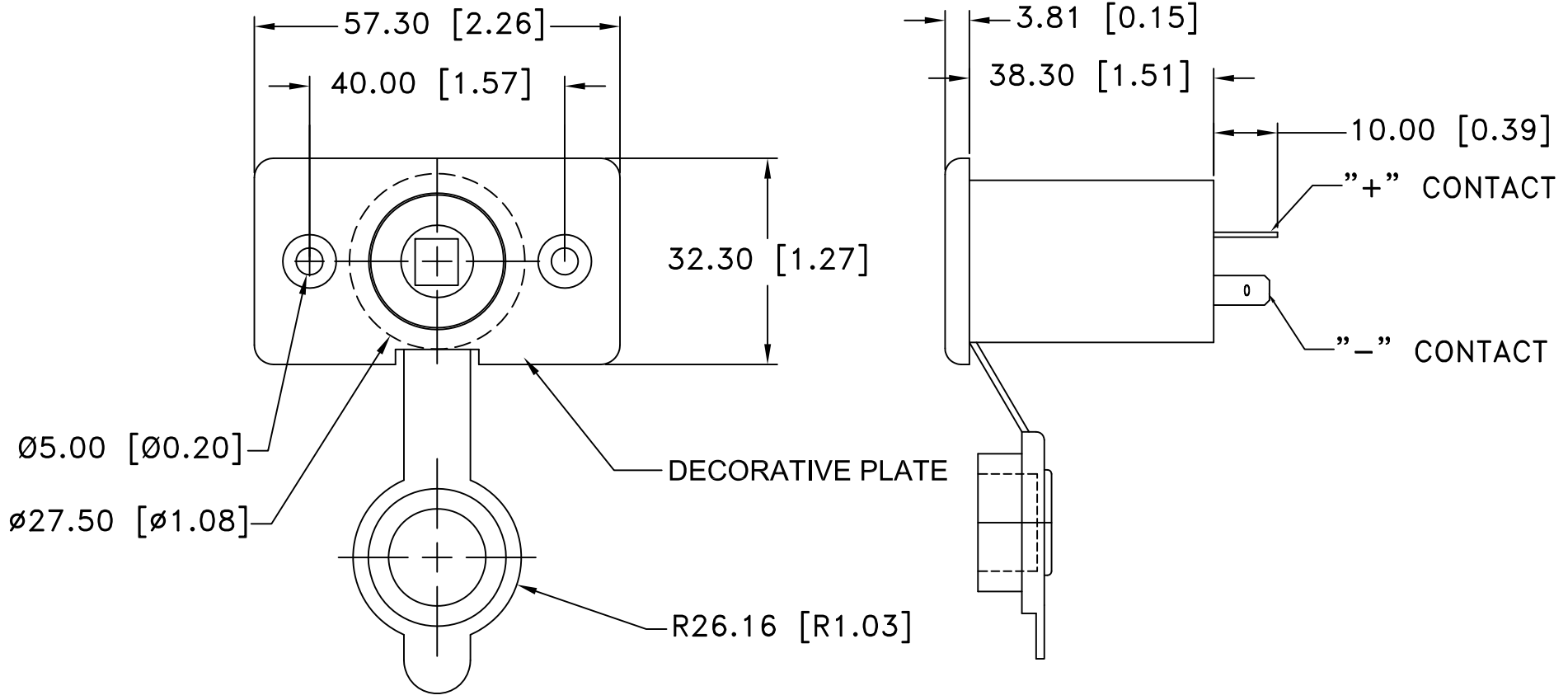



Date	SYM	REVISION RECORD	AUTH	DR.	CK.



MATERIAL SPECIFICATION:
 COVER: PVC
 BODY: NYLON #66
 CONTACTS: BRASS, NICKEL PLATED
 PLATE: NYLON #66
 ROHS COMPLIANT

Tolerance (Except as noted)	 Memory Protection Devices, Inc 200 Broad Hollow Road, Farmingdale, New York 11735	Scale	Drawn By B.S.
			Approved By T.B.
decimal ±.5 (.020)	Title 12V CIGARETTE SOCKET, 15AMP		
Fractional ± .8 (.030)	Date 05/14/10	Drawing Number AS215	