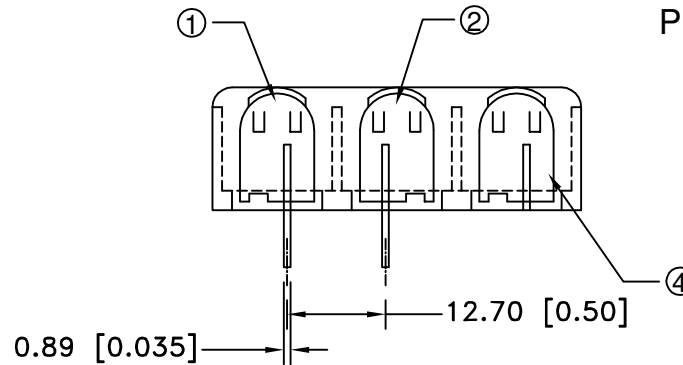
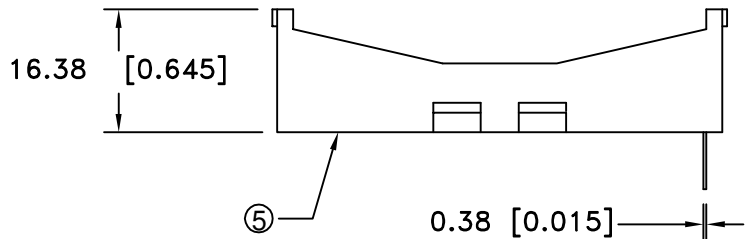
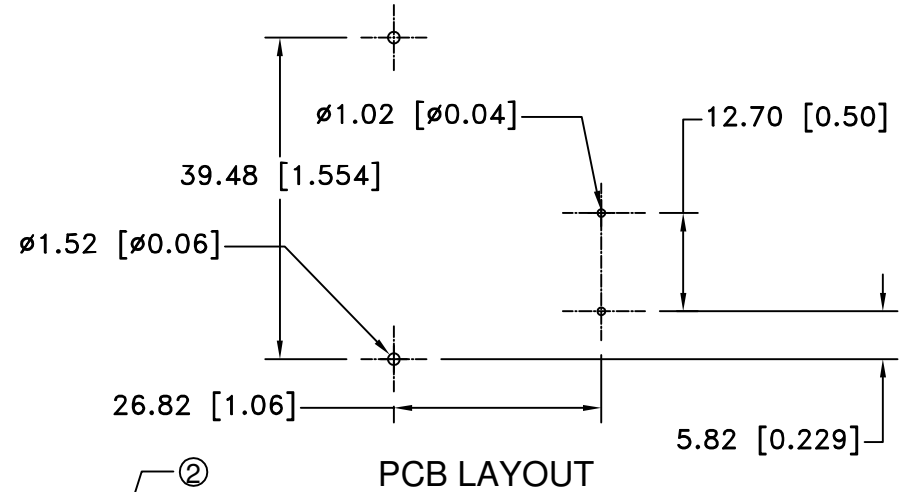
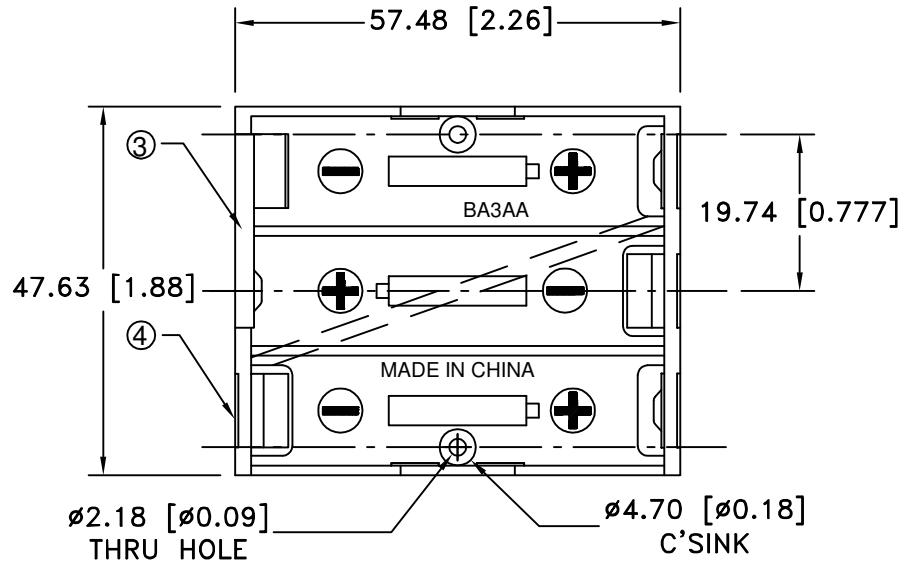


Date	SYM	REVISION RECORD	AUTH	DR.	CK.



ROHS COMPLIANT

ITEM NO.	PART NO.	MATL. SPECIFICATION	QTY.	Tolerance (Except as noted)	Memory Protection Devices, Inc 200 Broad Hollow Road, Farmingdale, New York 11735		
1	ABG-194	POSITIVE CONTACT, 302 STAINLESS STEEL, NICKLE PLTD.	2	decimal	Scale	Drawn By B.S.	
2	ABG-195	NEGATIVE CONTACT, 302 STAINLESS STEEL, NICKLE PLTD.	1			Approved By T.B.	
3	ABG-196-1	RIGHT NEG./POS. CONTACT, 302 STAINLESS STEEL, NICKLE PLTD.	1	$\pm .5$ (.020)	Title	THREE "AA" CELL SPRINGLESS HOLDER	
4	ABG-201	ASSY. NEG./POS. CONTACT, 302 STAINLESS STEEL, NICKLE PLTD.	1			Date	
5	ABG-198	BLACK POLYPROPYLENE HOLDER, UL94-V0	1	Fractional $\pm .8$ (.030)	2/25/06	BA3AAPC-UL-94-V0	
				Angular $\pm 3^\circ$			