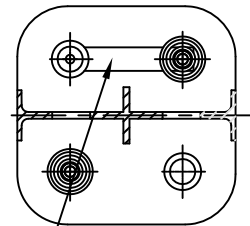
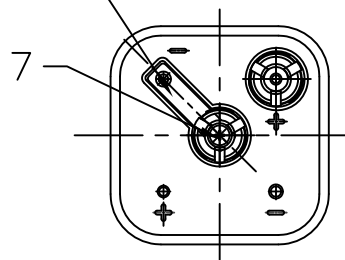
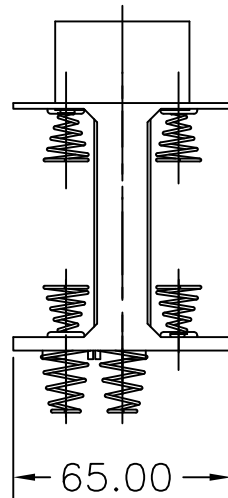
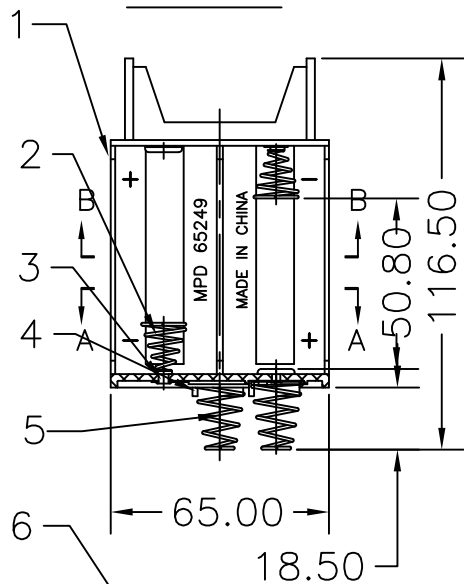


SECTION B-B




SECTION A-A



REVISIONS					
Date	SYM	REVISION RECORD	AUTH.	DR.	CK

ROHS COMPLIANT

ITEM	PART NAME	MATERIAL	QTY	P/N
8	JUMP PLATE LONG	STEEL NI-PLATED	3	47-274102
7	SCREW M3X6	45# ST. NI-PLATED	1	41-225052
6	JUMP PLATE	STEEL NI-PLATED	1	47-274101
5	OUT SPRING	SPR-STEEL NI-PLATED	2	49-274101
4	PEDESTAL	STEEL NI-PLATED	2	47-274103
3	EYELET	SPR-STEEL NI-PLATED	4	44-100001
2	SPRING '-'	SPR-STEEL NI-PLATED	4	49-274102
1	BATTERY HSG	PP	1	53-27401

Tolerance (Except as noted)	 Memory Protection Devices, Inc 200 Broad Hollow Road, Farmingdale, New York 11735	Scale	Drawn By
		1=1	Approved By
decimal ±.5 (.020)	Title 4D CELL HOLDER WITH 3 VOLTS OUTPUT	Date 03/23/12	
Fractional ±.8 (.030)		Drawing Number BA4D-S-3VOLT	
Angular ± 3°	Date 03/23/12		