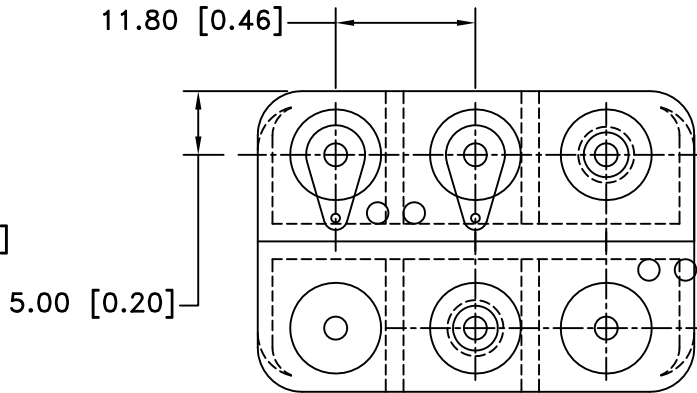
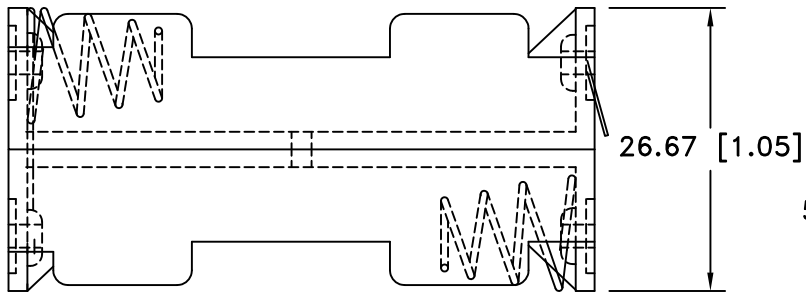
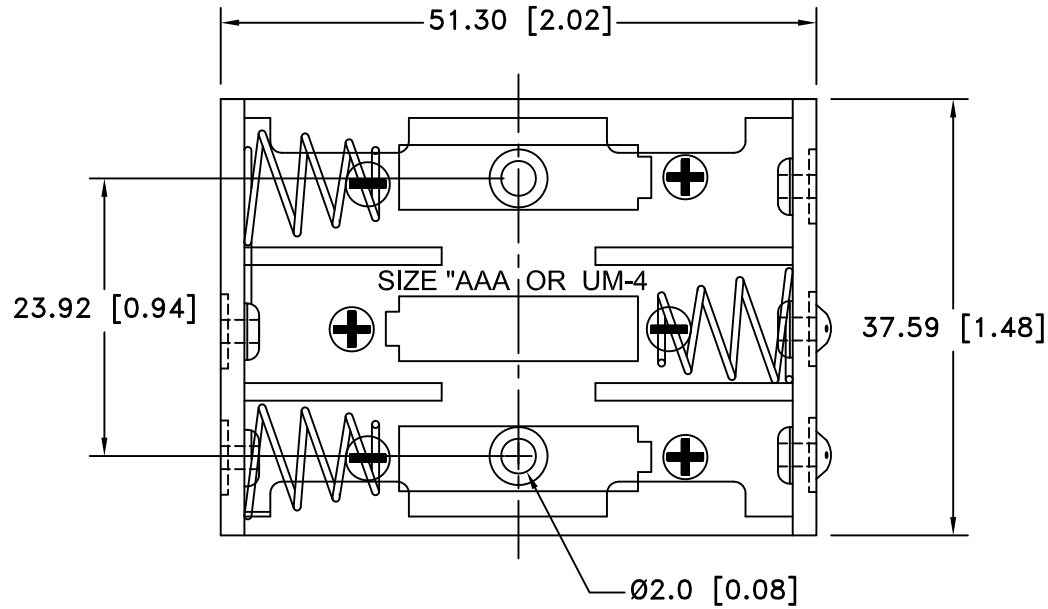



| Date     | SYM | REVISION RECORD               | AUTH | DR.  | CK. |
|----------|-----|-------------------------------|------|------|-----|
| 03/29/13 | A   | UPDATED TO "ROHS 2 COMPLIANT" | T.B. | B.S. |     |
|          |     |                               |      |      |     |
|          |     |                               |      |      |     |
|          |     |                               |      |      |     |



Notes:  
 Plastic material - Polypropylene  
 Flammability Rating -UL94-HB, UL File NO. E216959  
 Temperature Range: -10°C to +100°C  
 Springs - Nickel Plated Spring Steel  
 Rivets - Brass, Nickel Plated  
 Contact Resistance: Under 50mΩ for +/- contacts per EIA-540J000  
 ROHS 2 COMPLIANT

|                                |   |                            |                  |
|--------------------------------|---|----------------------------|------------------|
| Tolerance<br>(Except as noted) |  <b>Memory Protection Devices, Inc</b><br>200 Broad Hollow Road, Farmingdale, New York 11735 | Scale                      | Drawn By B.S.    |
|                                |   |                            | Approved By T.B. |
| decimal<br>±.5 (.020)          | Title<br>SIX "AAA" CELL HOLDER  |                            |                  |
| Fractional<br>± .8 (.030)      | Date<br>03/29/13  | Drawing Number<br>BH26AAAL |                  |
| Angular<br>± 3°                |   |                            |                  |