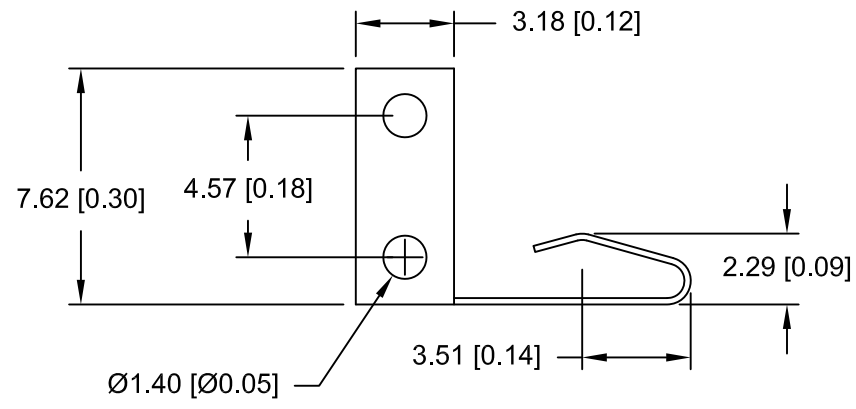
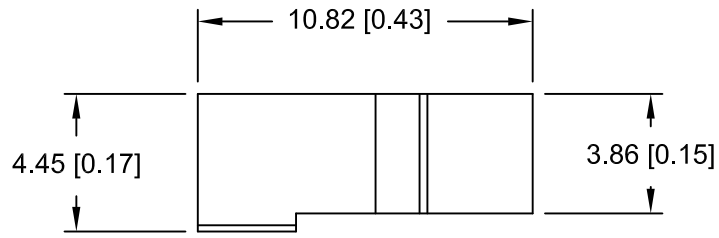



Date	SYM	REVISION RECORD	AUTH	DR.	CK.
8/06/10	A	UPDATED MATERIAL NOTES	T.B.	B.S.	



NOTE:
 .008" THICK ANNEALED SPRING STEEL
 HEAT TREAT TO SPRING TEMPER
 GOLD FLASH OVERALL

Tolerance (Except as noted)	 Memory Protection Devices, Inc 200 Broad Hollow Road, Farmingdale, New York 11735	Scale	Drawn By B.S.
			Approved By T.B.
decimal $\pm .020$ (.5)	Title AAAA BATTERY CONTACT, SURFACE MOUNT, OFF BOARD		
Fractional $\pm .030$ (.8)	Date	Drawing Number	
Angular $\pm 3^\circ$	08/06/10	BK-6112	