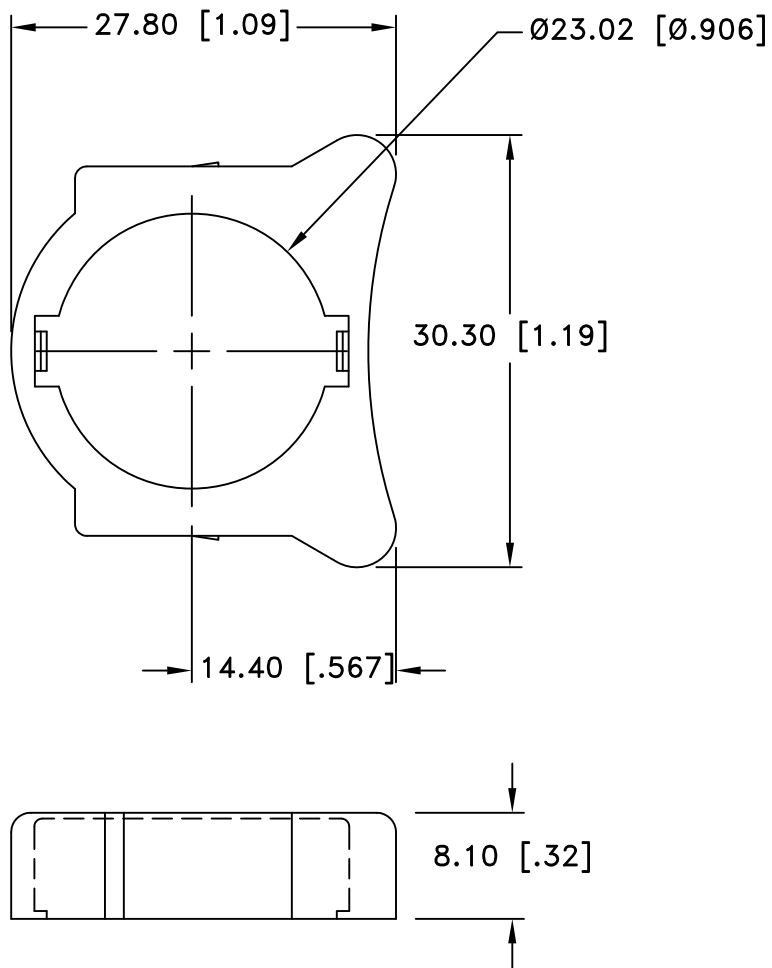



Date	SYM	REVISION RECORD	AUTH	DR.	CK.



SPECIFICATIONS:

- * Material- Polypropylene, PP-1040, Off White
- * UL Flamability Rating: UL 94-HB
- * ROHS COMPLIANT

Tolerance (Except as noted)	 Memory Protection Devices, Inc 200 Broad Hollow Road, Farmingdale, New York 11735	Scale	Drawn By B.S.
			Approved By T.B.
decimal ±.5 (.020)	Title CR2477 BATTERY INSULATOR		
Fractional ± .8 (.030)	Date 12/21/12	Drawing Number BRX1-0001	
Angular ± 3°			