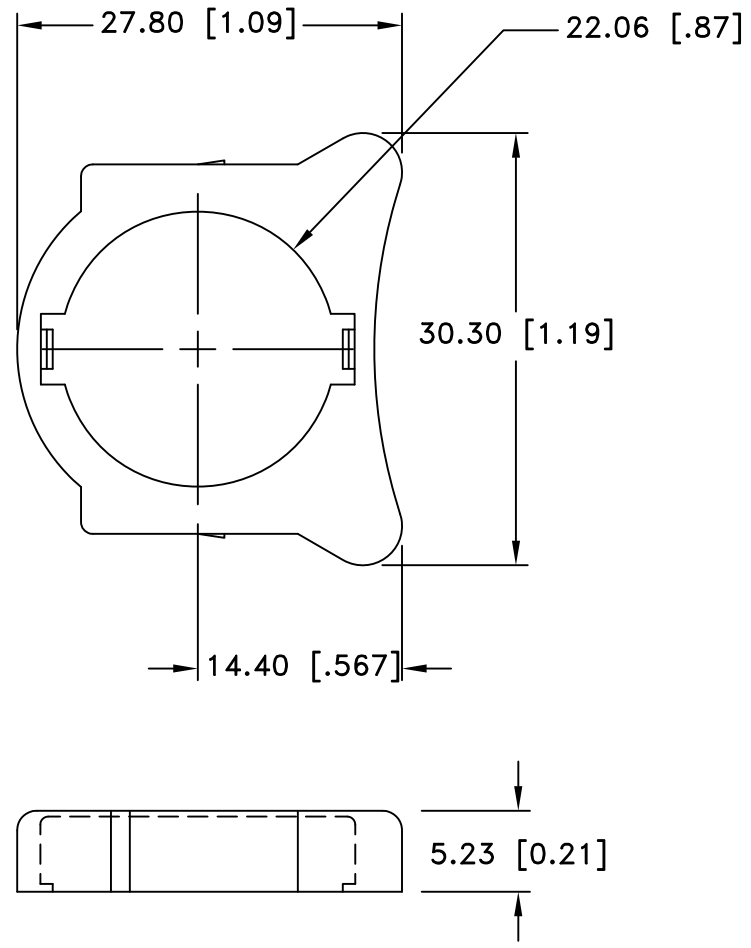



Date	SYM	REVISION RECORD	AUTH	DR.	CK.



SPECIFICATIONS:

- * Material- Polypropylene, PP-1040, Off White
- * UL Flamability Rating: UL 94-HB
- * ROHS COMPLIANT

Tolerance (Except as noted)	 Memory Protection Devices, Inc 200 Broad Hollow Road, Farmingdale, New York 11735		
	decimal ±.5 (.020)	Scale	Drawn By B.S. Approved By T.B.
Fractional ± .8 (.030)	Title CR2450 BATTERY INSULATOR		
Angular ± 3°	Date 12/21/12	Drawing Number BRX1-0002	