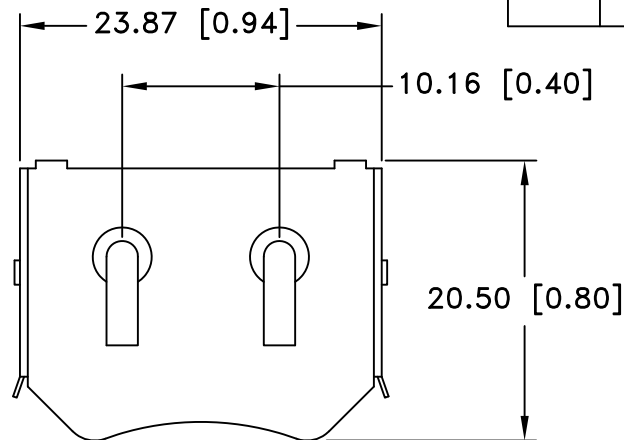
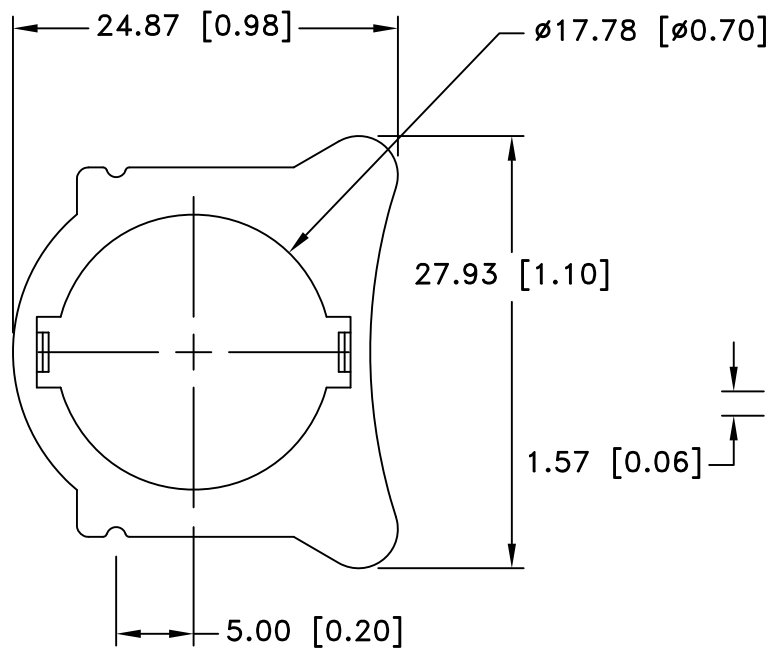
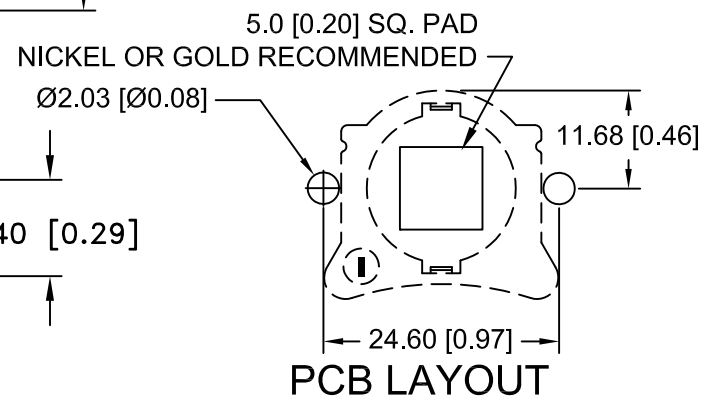
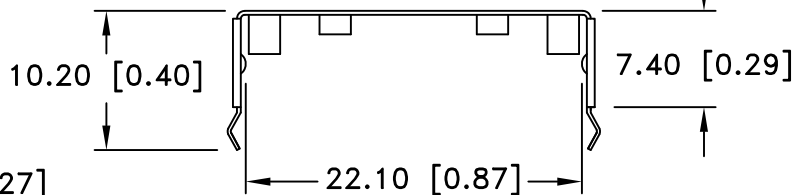
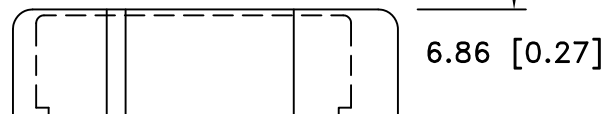


| Date | SYM | REVISION RECORD | AUTH | DR. | CK. |
|----------|-----|---|------|------|-----|
| 10/22/10 | A | ADDED DIM. 7.40 | T.B. | B.S. | |
| 12/10/10 | B | UPDATED NOTE ON PCB LAYOUT FOR CENTER PAD | T.B. | B.S. | |
| 04/20/12 | C | ADDED INSULATOR OUTLINE IN PCB LAYOUT | T.B. | B.S. | |
| | | | | | |
| | | | | | |




INSULATOR



SPECIFICATIONS:

- * Holder material- Polypropylene, AV161 PP, Off White
- * UL Flamability Rating: UL 94-HB File No. E108370
- * Contacts : Phosphor Bronze C5191, Nickel Plated 80-150u thickness
- * Vibration test: 10-50-10 hz swept in 60 seconds
x,y,z direction: 1 hour each direction
- * Result: no dislodgement of the cell or damage
no discontinuity over 10 micro-seconds
- * Shock test: half sine wave acceleration 150g.
6 micro-seconds 3 shock pulses each direction per axis,
total of 18 pulses
- * Result: no evidence of physical damage
- * ROHS COMPLIANT

| | | | |
|--------------------------------|---|--------------------------------|------------------|
| Tolerance (Except as noted) |  Memory Protection Devices, Inc 200 Broad Hollow Road, Farmingdale, New York 11735 | Scale | Drawn By B.S. |
| | | | Approved By T.B. |
| decimal ±.5 (.020) | Title CR2032 BATTERY RETAINER WITH INSULATOR | Date 04/20/12 | |
| Fractional ± .8 (.030) | | Drawing Number BHX2-2032-PC | |
| Angular ± 3° | | | |