

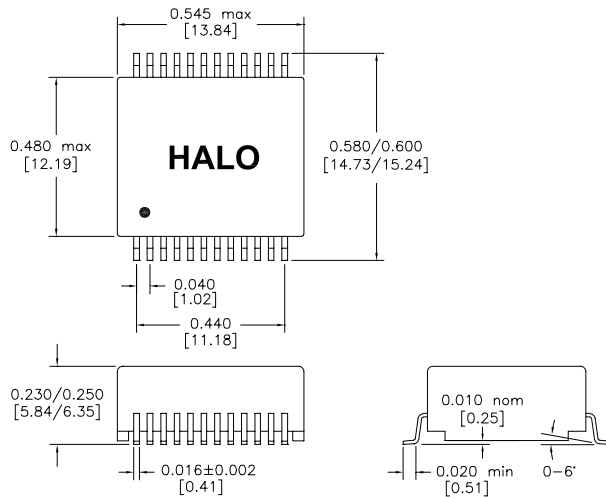
HALO 10GBASE-T ELECTRONICS, INC. 24 Pin Isolation / Filter Modules

HALO Electronics is pleased to offer this series of "footprint interchangeable" 10GBASE-T Isolation/Filter Modules. These 24 pin surface mount transformers utilize HALO's patented construction technique providing excellent, repeatable, high frequency performance. As well this series is UL recognized and IEEE802.3 compliant.

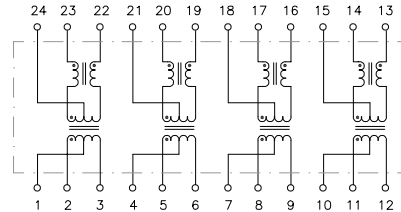


10GBASE-T
24 Pin Isolation / Filter Modules

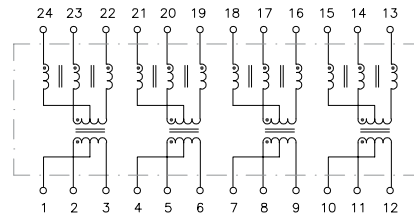
NJ Package



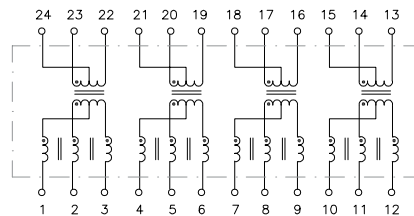
Schematic A



Schematic B



Schematic C



Electrical Specifications @ 25°C

Turns Ratio:	1CT:1CT
CDMR:	
1-250MHz	-30dB
500MHz	-22dB
Crosstalk:	
1-100MHz	-40dB
500MHz	-30dB
Isolation Voltage:	1,500Vrms
Operating Temperature:	0 to 70°C



Patented Construction

US Pat Nbrs: 5,656,985
6,297,721 B1
6,297,720 B1
6,320,489 B1
6,344,785 B1

Part Number	Insertion Loss		Return Loss					Circuit Diagram
	1-300MHz	500MHz	1-40MHz	100MHz	200MHz	400MHz	500MHz	
TG10G-S100NJRL	-1dB	-2dB	-18dB	-13dB	-10dB	-7dB	-6dB	A
TG10G-S101NJRL	-1dB	-2dB	-18dB	-13dB	-10dB	-7dB	-6dB	B
TG10G-S102NJRL	-1dB	-2dB	-18dB	-13dB	-10dB	-7dB	-6dB	C