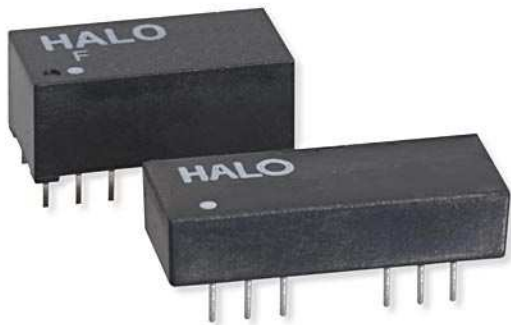


# 10BASE-T Filter Modules

100Ω DIL Packages with Optional Chokes



## Product Features:

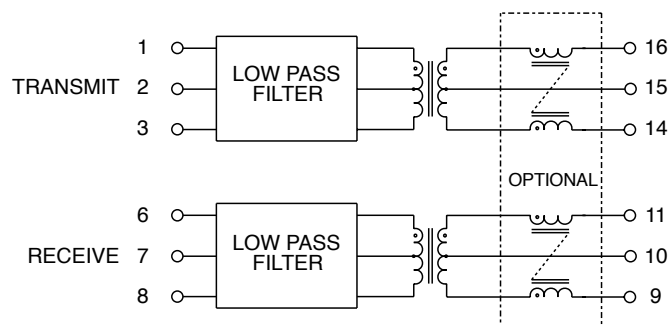
- Standard series of 100Ω filter modules to specifically address the 10BASE-T requirements of IEEE 802.3
- Choice of low or high profile packages
- Optional TX or TX/RX chokes
- Available for most LAN IC manufacturer's products

| Part Number | Filter Description        |                           | Optional CMR Chokes | Package |
|-------------|---------------------------|---------------------------|---------------------|---------|
|             | Transmit                  | Receive                   |                     |         |
| FD02-101GRL | 100Ω Transformer + Filter | 100Ω Transformer + Filter | –                   | G       |
| FD12-101GRL | 100Ω Transformer + Filter | 100Ω Transformer + Filter | TX                  | G       |
| FD22-101GRL | 100Ω Transformer + Filter | 100Ω Transformer + Filter | TX / RX             | G       |
| FD02-101HRL | 100Ω Transformer + Filter | 100Ω Transformer + Filter | –                   | H       |
| FD12-101HRL | 100Ω Transformer + Filter | 100Ω Transformer + Filter | TX                  | H       |
| FD22-101HRL | 100Ω Transformer + Filter | 100Ω Transformer + Filter | TX / RX             | H       |

## Electrical Specifications @ 25°C

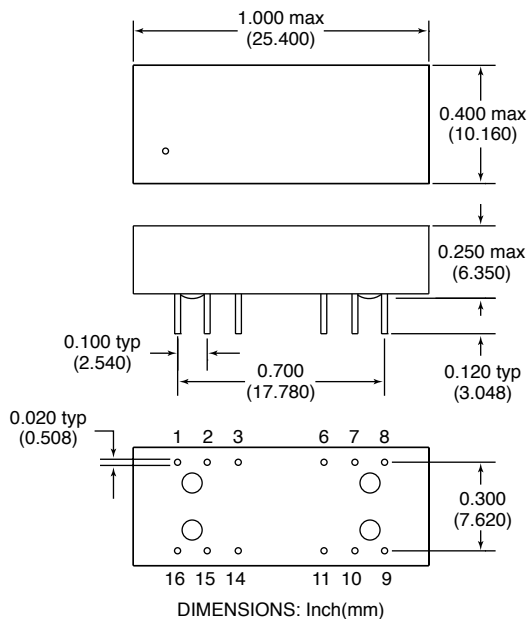
Dielectric Withstanding Voltage: 2,000Vrms  
 Insertion Loss (5-10MHz): -1 dB Max.  
 Return Loss (5-10MHz): -20 dB Min.  
 Cross Talk (1-10MHz): -30 dB Min.  
 Attenuation @ 30MHz: Transmit -27 dB Min.  
 Receive -18 dB Min.  
 Cutoff Frequency: 17 MHz Typ.

## Schematic

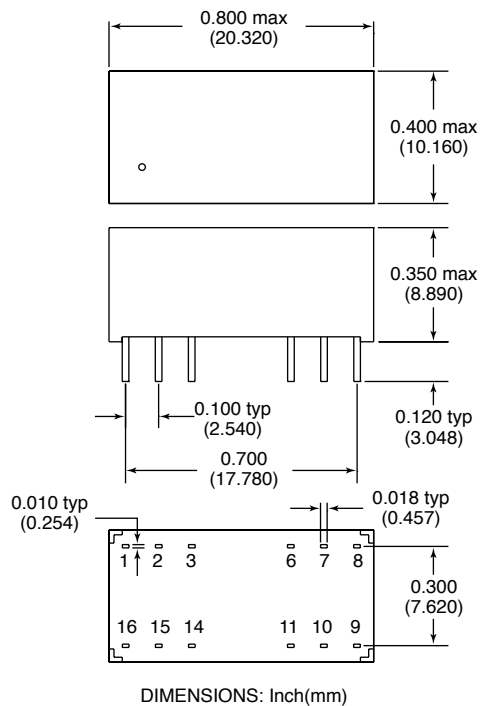


# 10BASE-T Filter Modules

## Package G



## Package H



2880 Lakeside Drive #116  
 Santa Clara, CA 95054  
 (650) 903-3800  
[www.haloelectronics.com](http://www.haloelectronics.com)

HALO® Electronics is a leading supplier of high quality communication magnetics including signal transformers, filters, CMR chokes, PoE power transformers, DC/DC converters, and integrated Ethernet connectors. HALO's leading edge technology solutions are manufactured in ISO9001 and ISO14001 factories offering high quality products at a competitive price.