

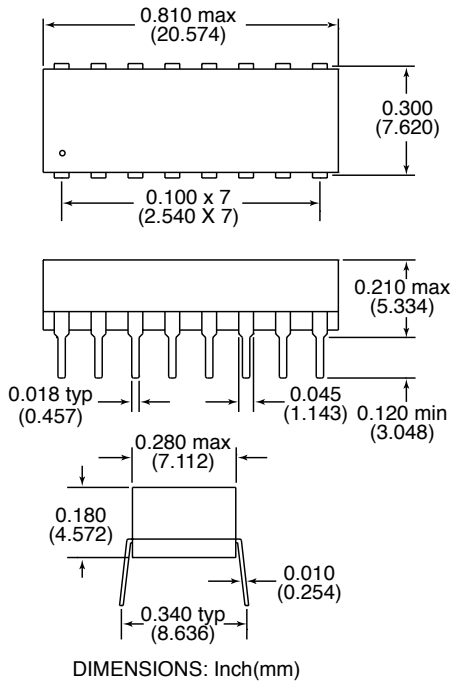
# HALO DIP 10BASE-T Isolation Modules

HALO Electronics has developed this standard series of 16 PIN DIP Isolation Modules to meet the isolation and impedance matching requirements of IEEE 802.3 for 10BASE-T. To select the correct isolation module, please refer to the [HALO 10BASE-T Selector Guide](#).

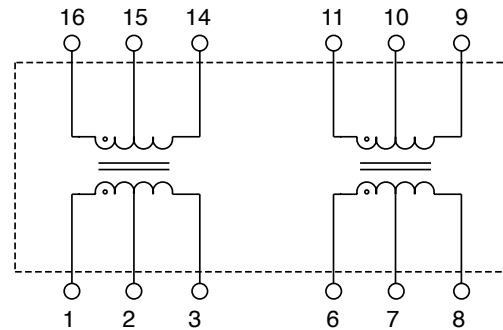


DIP 10BASE-T Isolation Modules

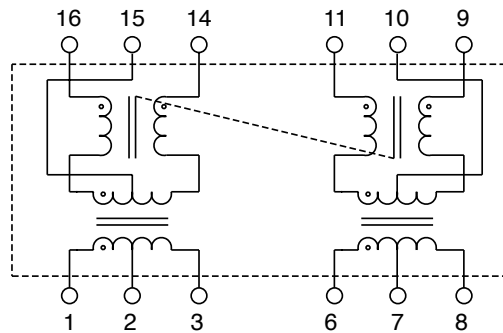
**DIP Package**



**Schematic A**



**Schematic B**



Electrical Specifications @ 25°C  
 Pri /Sec Isolation: 2,000Vrms  
 Insulation Resistance: 10,000 MΩ

Part Number	Turns Ratio ±3% (1-3:16-14) / (6-8:11-9)	PRI OCL (μH)	PRI/SEC Cw/w (pF max)	PRI LL (μH max)	PRI DCR (Ω max)	Schematic
TD04-1006QRL	(1CT:1CT) / (1CT:1CT)	100 Typ	9	0.3	0.3	A
TD04-2006QRL	(1CT:1CT) / (1CT:1CT)	200 Typ	15	0.3	0.4	A
TD42-2006QRL	(1CT:1CT) / (1CT:√2CT)	200 Typ	15	0.4	0.4	A
TD43-2006KRL	(1CT:1CT) / (1CT:√2CT)	200 Typ	15	0.4	0.4	B
TD62-1006QRL	(2CT:1CT) / (1CT:1CT)	150 Min	10	0.6	0.35	A
TD66-1006KRL	(2CT:1CT) / (1CT:1CT)	150 Min	10	0.9	0.35	B
TD74-1406QRL	(1CT:1CT) / (1CT:2CT)	140/25 Typ	15	0.4	0.3	A
TD75-1406KRL	(1CT:1CT) / (1CT:2CT)	140/25 Typ	15	0.4	0.3	B
TD81-1006KRL	(1CT:1CT) / (1CT:1CT)	100 Typ	9	0.3	0.3	B
TD84-2006QRL	(1CT:2CT) / (1CT:1CT)	50/200 Min	11	0.15	0.5	A
TD86-2006KRL	(1CT:2CT) / (1CT:1CT)	50/200 Min	11	0.3	0.5	B