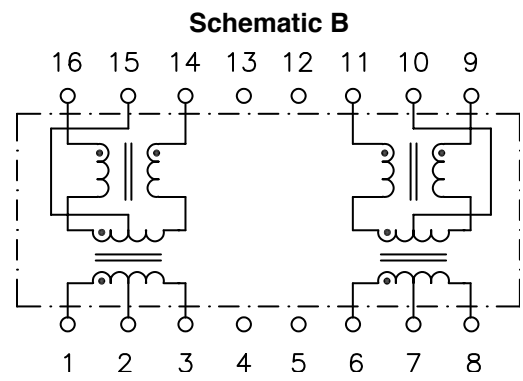
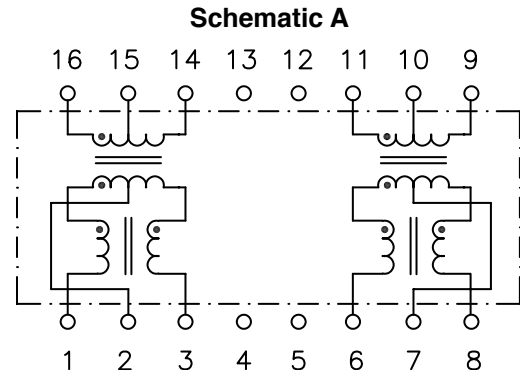
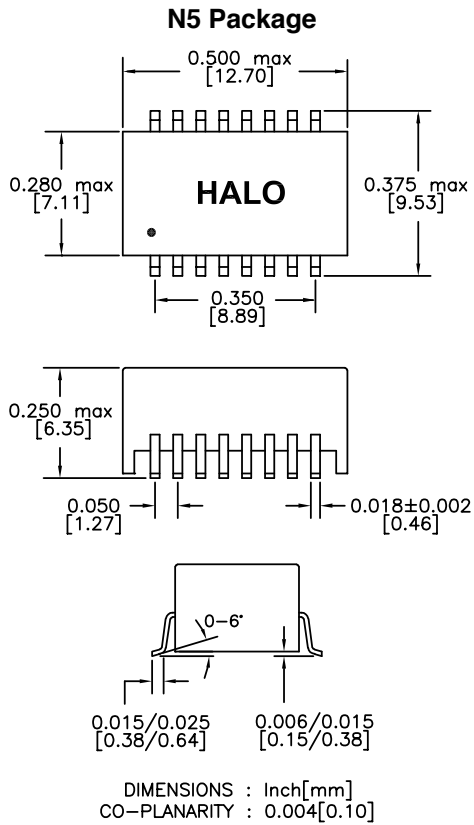


HALO Electronics is pleased to offer the E-Ultra™, the industry's first extended temperature range SOIC-16 Fast Ethernet magnetic module. The IEEE802.3 compliant Ultra™ series was originally developed by HALO as the first miniature 10/100 solution for real estate and cost sensitive applications. The E-Ultra™ now offers the same high performance over the industrial temp. range of -40 to +85C. Standard devices are available for all leading silicon vendors' Phy's.



Electrical Specifications @ 25°C

Operating Temp:	-40 to +85°C
CMR (0.1-100MHz):	-40dB typ
Crosstalk (0.1-100MHz):	-40dB min
Isolation Voltage:	1,500Vrms
OCL @100KHz, 8mA:	350µH min (over full temp. range)

Patented Construction

US Pat Nbrs:	5,656,985	6,297,721 B1
	6,297,720 B1	6,320,489 B1
	6,344,785 B1	6,662,431 B1

Part Number	Turns Ratio +/- 3% (1-3:16-14)/(6-8:11-9)	Circuit Schematic	PRI/SEC Cw/w (pF typ)	PRI DCR (Ω max)
TG110-E050N5RL	(1CT:1CT) / (1CT:1CT)	A	25	1.0
TG110-E055N5RL	(1CT:1CT) / (1CT:1CT)	B	25	1.0
TG110-E120N5RL	(2CT:1CT) / (1CT:1CT)	B	25	1.3
TG110-E125N5RL	(1CT:1CT) / (2CT:1CT)	B	25	1.3
TG110-E139N5RL	(1.25CT:1CT) / (1CT:1CT)	B	25	1.3