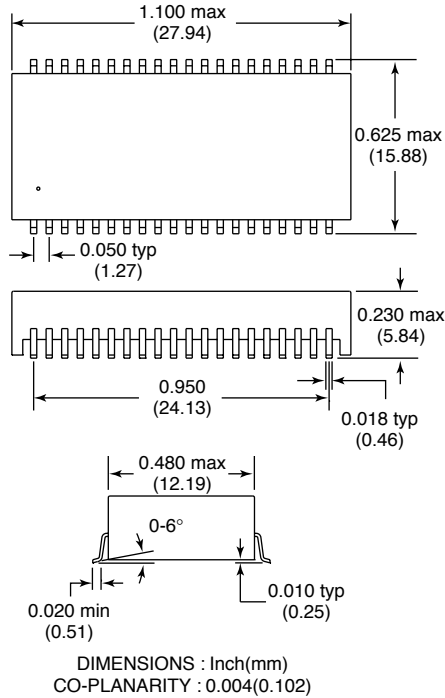


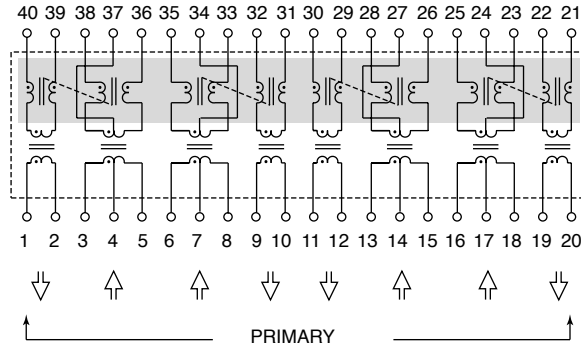
HALO Electronics has developed the Quatra™ series of 4 port SMD 10BASE-T Isolation Modules to meet the requirements of IEEE 802.3. Three levels of CMC performance are available. Designed for multiport Repeater and Switched Ethernet applications utilizing double stacked RJ-45 connectors.



### NX Package



### Circuit Schematic



### Electrical Specifications @ 25°C

Pri /Sec Isolation: 1,500Vrms  
 Insulation Resistance: 10,000 MΩ  
 CMC Inductance: 36μH Min.

### Patented Construction

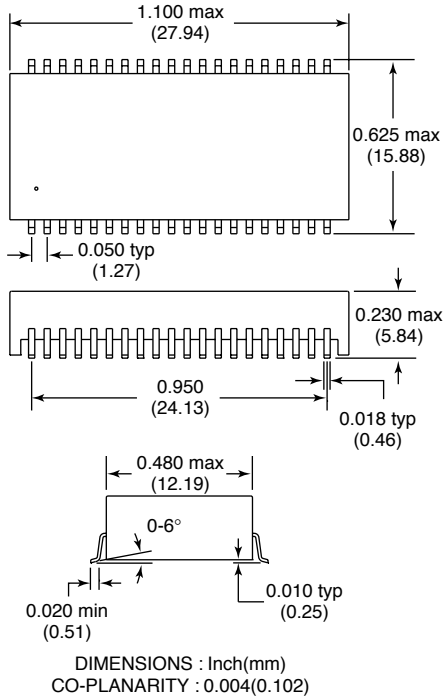
US Pat Nbrs: 5,656,985 6,297,721 B1  
 6,297,720 B1 6,320,489 B1  
 6,344,785 B1 6,662,431 B1

Part Number	Turns Ratio ±3%		TX / RX	PRI / SEC	TX / RX	TX / RX	Optional
	TX	RX	PRI OCL ( μH typ)	Cw/w ( pF max)	PRI LL ( μH max)	PRI DCR ( Ω max)	CMR Choke
TG44-1406NXRL	1CT:√2	1:1	140 / 140	12	0.4 / 0.4	0.40 / 0.40	N/A
TG45-1406NXRL	1CT:√2CT	1:1	140 / 140	12	0.4 / 0.4	0.40 / 0.40	TX
TG46-1406NXRL	1CT:√2CT	1:1	140 / 140	12	0.4 / 0.4	0.40 / 0.40	TX / RX
TG57-1006NXRL	1CT:1	1:1	100 / 100	12	0.3 / 0.3	0.30 / 0.30	N/A
TG58-1006NXRL	1CT:1CT	1:1	100 / 100	12	0.3 / 0.3	0.30 / 0.30	TX
TG59-1006NXRL	1CT:1CT	1:1	100 / 100	12	0.3 / 0.3	0.30 / 0.30	TX / RX
TG62-1006NXRL	2CT :1	1:1	150 / 150 Min	10	0.6 / 0.3	0.35 / 0.35	N/A
TG66-1006NXRL	2CT :1CT	1:1	150 / 150 Min	10	0.9 / 0.3	0.35 / 0.35	TX / RX
TG87-2006NXRL	1CT:2	1:1	50 / 200 Min	12	0.3 / 0.3	0.35 / 0.50	N/A
TG88-2006NXRL	1CT:2CT	1:1	50 / 200 Min	12	0.3 / 0.3	0.35 / 0.50	TX
TG89-2006NXRL	1CT:2CT	1:1	50 / 200 Min	12	0.3 / 0.3	0.35 / 0.50	TX / RX

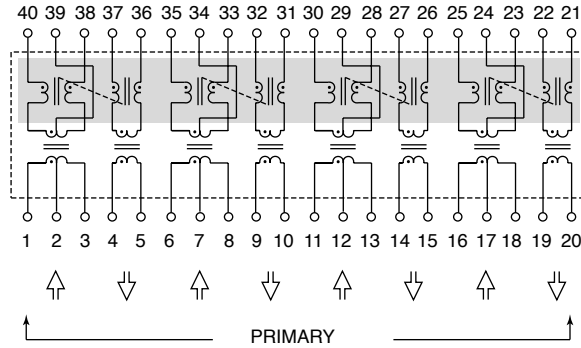
HALO Electronics has developed the Quatra™ series of 4 port SMD 10BASE-T Isolation Modules to meet the requirements of IEEE 802.3. Three levels of CMC performance are available. Designed for multiport Repeater and Switched Ethernet applications utilizing double stacked RJ-45 connectors.



### NX Package



### Circuit Schematic



### Electrical Specifications @ 25°C

Pri /Sec Isolation: 1,500Vrms  
Insulation Resistance: 10,000 MΩ  
CMC Inductance: 36μH Min.

### Patented Construction

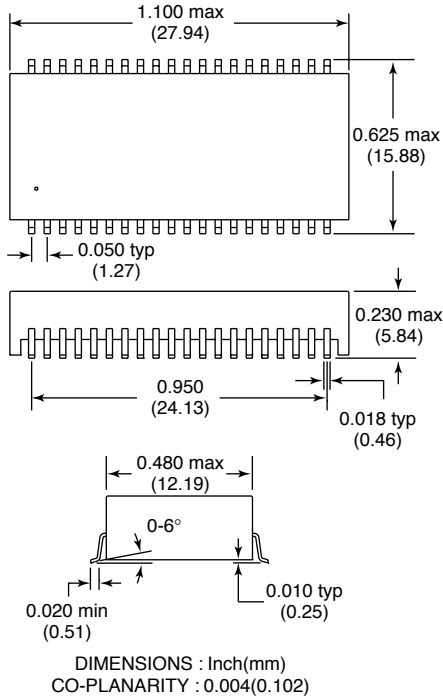
US Pat Nbrs: 5,656,985 6,297,721 B1  
6,297,720 B1 6,320,489 B1  
6,344,785 B1 6,662,431 B1

Part Number	Turns Ratio ±3%		TX / RX	PRI / SEC	TX / RX	TX / RX	Optional
	TX	RX	PRI OCL ( μH typ)	Cw/w ( pF max)	PRI LL ( μH max)	PRI DCR ( Ω max)	CMR Choke
TG41-S010NXRL	1CT:2.5CT	1:1	35 / 200 Min	15	0.1 / 0.4	0.30 / 0.50	TX / RX
TG44-S010NXRL	1CT:√2	1:1	140 / 140	12	0.4 / 0.4	0.40 / 0.40	N/A
TG45-S010NXRL	1CT:√2CT	1:1	140 / 140	12	0.4 / 0.4	0.40 / 0.40	TX
TG46-S010NXRL	1CT:√2CT	1:1	140 / 140	12	0.4 / 0.4	0.40 / 0.40	TX / RX
TG57-S010NXRL	1CT:1	1:1	100 / 100	12	0.3 / 0.3	0.30 / 0.30	N/A
TG58-S010NXRL	1CT:1CT	1:1	100 / 100	12	0.3 / 0.3	0.30 / 0.30	TX
TG59-S010NXRL	1CT:1CT	1:1	100 / 100	12	0.3 / 0.3	0.30 / 0.30	TX / RX
TG62-S010NXRL	2CT :1	1:1	150 / 150 Min	10	0.6 / 0.3	0.35 / 0.35	N/A
TG66-S010NXRL	2CT :1CT	1:1	150 / 150 Min	10	0.9 / 0.3	0.35 / 0.35	TX / RX
TG87-S010NXRL	1CT:2	1:1	50 / 200 Min	12	0.3 / 0.3	0.35 / 0.50	N/A
TG88-S010NXRL	1CT:2CT	1:1	50 / 200 Min	12	0.3 / 0.3	0.35 / 0.50	TX
TG89-S010NXRL	1CT:2CT	1:1	50 / 200 Min	12	0.3 / 0.3	0.35 / 0.50	TX / RX

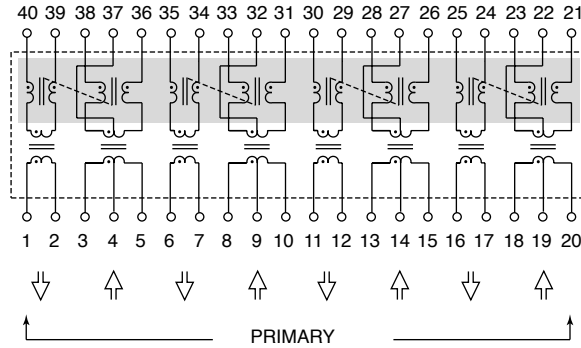
HALO Electronics has developed the Quatra™ series of 4 port SMD 10BASE-T Isolation Modules to meet the requirements of IEEE 802.3. Three levels of CMC performance are available. Designed for multiport Repeater and Switched Ethernet applications utilizing double stacked RJ-45 connectors.



### NX Package



### Circuit Schematic



### Electrical Specifications @ 25°C

Pri /Sec Isolation: 1,500Vrms  
 Insulation Resistance: 10,000 MΩ  
 CMC Inductance: 36μH Min.

### Patented Construction

US Pat Nbrs: 5,656,985 6,297,721 B1  
 6,297,720 B1 6,320,489 B1  
 6,344,785 B1 6,662,431 B1

Part Number	Turns Ratio ±3%		TX / RX	PRI / SEC	TX / RX	TX / RX	Optional
	TX	RX	PRI OCL ( μH typ)	Cw/w ( pF max)	PRI LL ( μH max)	PRI DCR ( Ω max)	CMR Choke
TG44-S020NXRL	1CT:√2	1:1	140 / 140	12	0.4 / 0.4	0.40 / 0.40	N/A
TG45-S020NXRL	1CT:√2CT	1:1	140 / 140	12	0.4 / 0.4	0.40 / 0.40	TX
TG46-S020NXRL	1CT:√2CT	1:1	140 / 140	12	0.4 / 0.4	0.40 / 0.40	TX / RX
TG57-S020NXRL	1CT:1	1:1	100 / 100	12	0.3 / 0.3	0.30 / 0.30	N/A
TG58-S020NXRL	1CT:1CT	1:1	100 / 100	12	0.3 / 0.3	0.30 / 0.30	TX
TG59-S020NXRL	1CT:1CT	1:1	100 / 100	12	0.3 / 0.3	0.30 / 0.30	TX / RX
TG62-S020NXRL	2CT :1	1:1	150 / 150 Min	10	0.6 / 0.3	0.35 / 0.35	N/A
TG66-S020NXRL	2CT :1CT	1:1	150 / 150 Min	10	0.9 / 0.3	0.35 / 0.35	TX / RX
TG87-S020NXRL	1CT:2	1:1	50 / 200 Min	12	0.3 / 0.3	0.35 / 0.50	N/A
TG88-S020NXRL	1CT:2CT	1:1	50 / 200 Min	12	0.3 / 0.3	0.35 / 0.50	TX
TG89-S020NXRL	1CT:2CT	1:1	50 / 200 Min	12	0.3 / 0.3	0.35 / 0.50	TX / RX