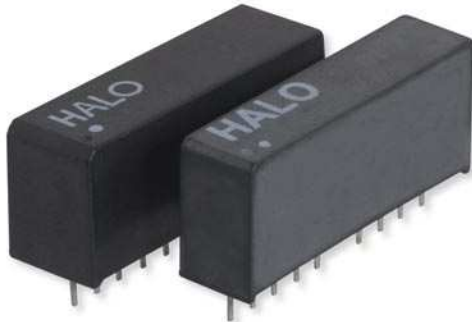


# 10BASE-T Filter Modules

SIP & Slim SIP Packages with Optional Chokes



## Product Features:

- Standard series of 100Ω and 50Ω/100Ω filter modules to specifically address the 10BASE-T requirements of IEEE 802.3
- Choice of regular or slim packages
- Optional TX or TX/RX chokes
- Available for most LAN IC manufacturer's products

Part Number	SIP Package		Optional CMR Chokes	Schematic/Package
	Transmit	Receive		
FS02-101Y2RL	100Ω Transformer + Filter	100Ω Transformer + Filter	–	Y2/A
FS12-101Y2RL	100Ω Transformer + Filter	100Ω Transformer + Filter	TX	Y2/A
FS22-101Y2RL	100Ω Transformer + Filter	100Ω Transformer + Filter	TX / RX	Y2/A
FS02-114Y2RL	50Ω Transformer + Filter	100Ω Transformer + Filter	–	Y2/B
FS12-114Y2RL	50Ω Transformer + Filter	100Ω Transformer + Filter	TX	Y2/B
FS22-114Y2RL	50Ω Transformer + Filter	100Ω Transformer + Filter	TX / RX	Y2/B

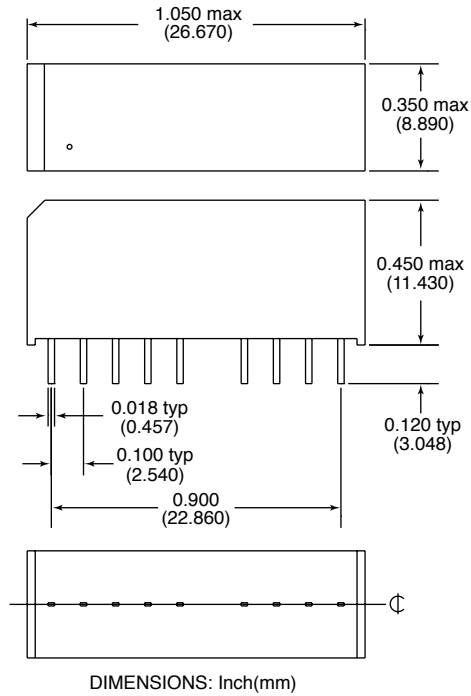
Part Number	Slim SIP Package		Optional CMR Chokes	Schematic/Package
	Transmit	Receive		
FS02-101Y4RL	100Ω Transformer + Filter	100Ω Transformer + Filter	–	Y4/A
FS12-101Y4RL	100Ω Transformer + Filter	100Ω Transformer + Filter	TX	Y4/A
FS22-101Y4RL	100Ω Transformer + Filter	100Ω Transformer + Filter	TX / RX	Y4/A
FS02-114Y4RL	50Ω Transformer + Filter	100Ω Transformer + Filter	–	Y4/B
FS12-114Y4RL	50Ω Transformer + Filter	100Ω Transformer + Filter	TX	Y4/B
FS22-114Y4RL	50Ω Transformer + Filter	100Ω Transformer + Filter	TX / RX	Y4/B

## Electrical Specifications @ 25°C

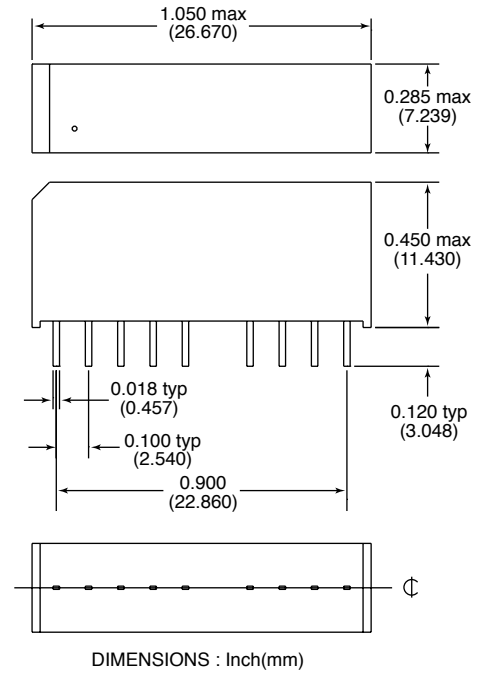
Dielectric Withstanding Voltage: 2,000Vrms  
 Insertion Loss (5-10MHz): -1 dB Max.  
 Return Loss (5-10MHz): -20 dB Min.  
 Cross Talk (1-10MHz): -30 dB Min.  
 Attenuation @ 30MHz: Transmit -27 dB Min.  
 Receive -18 dB Min.  
 Cutoff Frequency: 17 MHz Typ.

# 10BASE-T Filter Modules

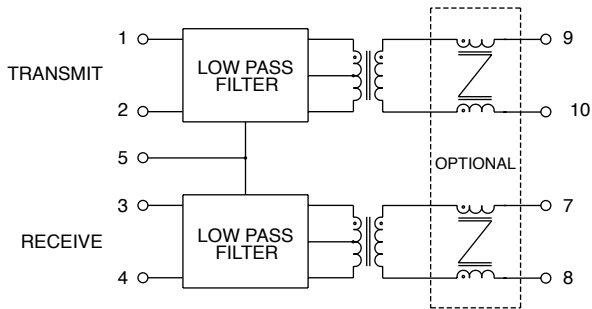
## Package Y2



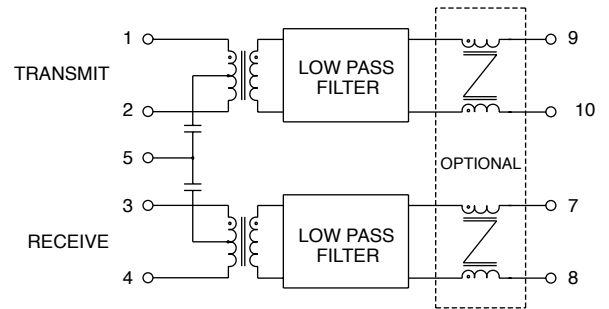
## Package Y4



## Schematic A



## Schematic B



2880 Lakeside Drive #116  
 Santa Clara, CA 95054  
 (650) 903-3800  
[www.haloelectronics.com](http://www.haloelectronics.com)

HALO® Electronics is a leading supplier of high quality communication magnetics including signal transformers, filters, CMR chokes, PoE power transformers, DC/DC converters, and integrated Ethernet connectors. HALO's leading edge technology solutions are manufactured in ISO9001 and ISO14001 factories offering high quality products at a competitive price.