

10BASE-T Isolation Modules

Single Port 4.5kV SMD Package

HALO
ELECTRONICS, INC.



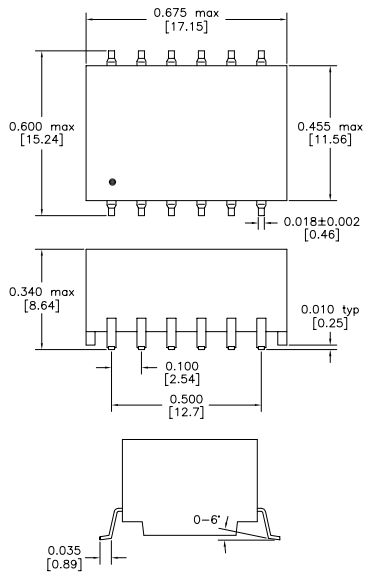
Product Features:

- Standard series of reinforced insulation 10BASE-T isolation modules to meet the requirements of 802.3 for UTP applications requiring a high level of isolation, including telecommunications
- 4.5kV Isolation
- Patented Open Frame Construction
- UL60950, IEC60950 and EN60950 recognized

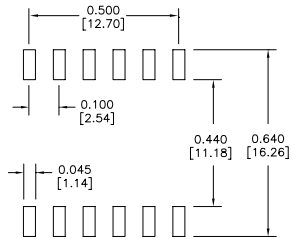
Part Number	Turns Ratio $\pm 3\%$ (1-3:12-10) / (4-6:9-7)	Pri OCL (μH)	Cw/w (pF max)	Pri DCR (Ω max)	Schematic	Temp Range
TG41-4006NCRL	(1CT:1CT) / (1CT:2.5CT)	200/35 Min	10	0.5	B	-40 to +85°C
TG42-4406NCRL	(1CT:1CT) / (1CT:1.41CT)	140 Typ	12	0.6	A	0 to +70°C
TG43-4406NCRL	(1CT:1CT) / (1CT:1.41CT)	140 Typ	15	0.6	B	0 to +70°C
TG74-4406NCRL	(1CT:1CT) / (1CT:2CT)	140/25 Typ	15	0.4	A	0 to +70°C
TG75-4406NCRL	(1CT:1CT) / (1CT:2CT)	140/25 Typ	15	0.6	B	0 to +70°C
TG92-4006NCRL	(1CT:1CT) / (1CT:2.5CT)	200/35 Min	15	0.5	A	-40 to +85°C

Reinforced 10BASE-T Isolation Modules

Package NC

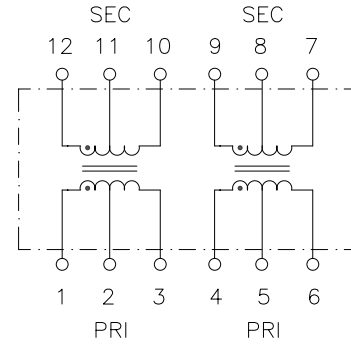


Dimensions are in inches [mm]
Co-Planarity: 0.004 [0.10]

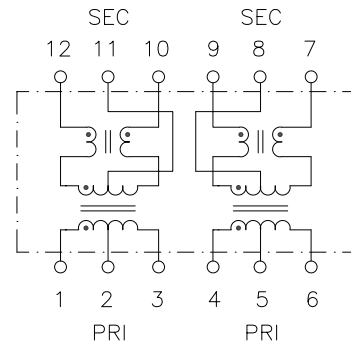


Recommended
Solder Pad Layout

Schematic A



Schematic B



US Patent Numbers

5,656,985 6,297,721 B1
6,297,720 B1 6,320,489 B1
6,344,785 B1 6,662,431 B1



2880 Lakeside Drive #116
Santa Clara, CA 95054
(650) 903-3800

www.haloelectronics.com

HALO® Electronics is a leading supplier of high quality communication magnetics including signal transformers, filters, CMR chokes, PoE power transformers, DC/DC converters, and integrated Ethernet connectors. HALO's leading edge technology solutions are manufactured in ISO9001 and ISO14001 factories offering high quality products at a competitive price.