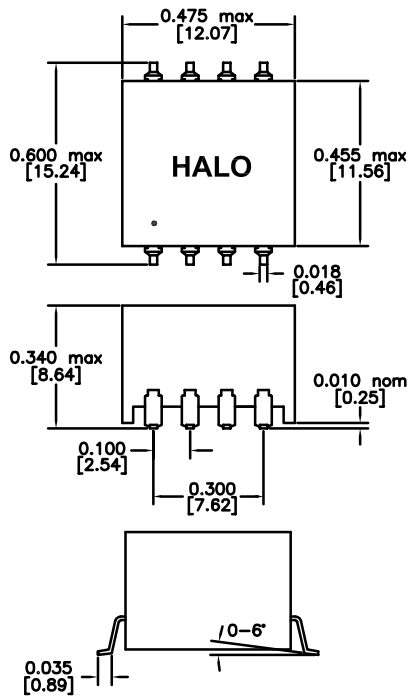


The TGM-H251NF and TGM-H281NF transformers provide the isolation and voltage outputs required for low cost isolated DC/DC converter circuits. These high efficiency, extended temp range transformers have been designed specifically for the Maxim™ MAX256 controller and H bridge driver with 3.3V or 5V power source. Fully tested and approved by Maxim in this 3 watt application. UL60950 and EN60950 recognized.



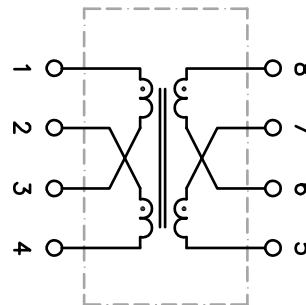
For more information, pertaining to the MAX256 please contact Maxim at (408) 737-7600. Maxim is a registered trademark of Maxim Integrated Products.

NF Package



DIMENSIONS: Inch [mm]
CO-PLANARITY: 0.004 [0.10]

Circuit Diagram



Patented Construction

US Pat Nbrs: 5,656,985
6,297,721 B1
6,297,720 B1
6,320,489 B1
6,344,785 B1

Electrical Specifications @ 25°C

Operating Temp:	-40°to +85°C
Pri Pins:	1-4
E T Constant (P1-4,2-3 connected):	18.5 V-ms min.
Isolation Voltage	1,500 Vrms

Part Number	Turns Ratio ±3% PRI : SEC	PRI-OCL μH Typ	PRI-DCR Max.	Cw/w pF Max
TGM-H251NF	1:1:1:1	198	100mΩ	15
TGM-H281NF	1:1:2.6:2.6	198	100mΩ	15