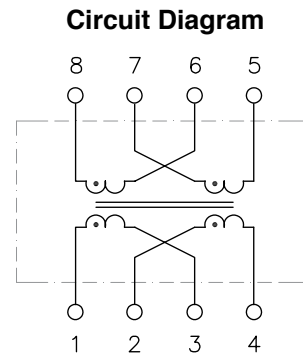
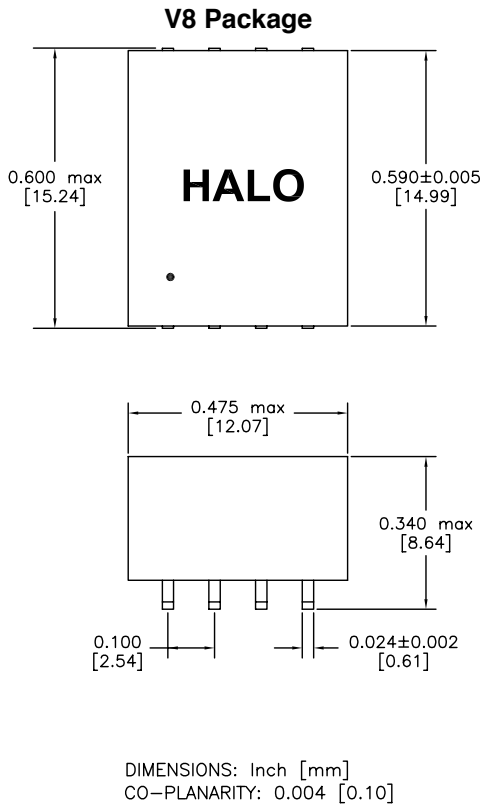
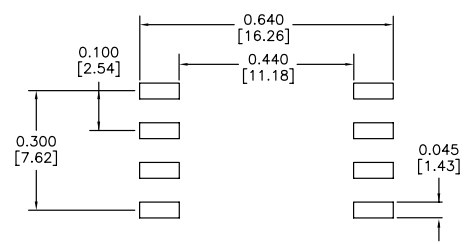


The TGM-H2xxV8LF and TGMR-H5xxV8LF series of transformers have been developed specifically for the Maxim MAX13253, low EMI, push-pull driver. These high efficiency, extended temp range, transformers have been designed for up to 1A input. UL60950, EN60950 and DEMKO recognized. Tested and approved by Maxim when used with the MAX13253.



Recommended Solder Pad Dimensions



Operating Temp: -40 to +85C
 Pri Pins: 1-4 (connect 2-3)
 Input Current: 1A Max.
 ET Constant over Temp range: Measured at P1-4 with 2-3 connected.
 Insulation: 1.5KV = Functional Insulation
 4.5KV = Reinforced Insulation

Electrical Specifications @ 25C



Part Number	Turns Ratio +/-3% PRI : SEC	PRI OCL µH Typ	PRI DCR Max.	Cw/w pF Max	ET Constant Min.	Isolation Voltage
TGM-H240V8LF	1:1:1.3:1.3	780	150mΩ	23	25V-µs	1,500Vrms
TGM-H260V8LF	1:1:2:2	780	150mΩ	25	25V-µs	1,500Vrms
TGM-H280V8LF	1:1:2.67:2.67	780	150mΩ	25	25V-µs	1,500Vrms
TGMR-H540V8LF	1:1:1.375:1.375	600	180mΩ	15	25V-µs	4,500Vrms
TGMR-H560V8LF	1:1:2:2	600	180mΩ	17	25V-µs	4,500Vrms
TGMR-H580V8LF	1:1:2.67:2.67	320	150mΩ	12	18 V-µs	4,500Vrms

For more information, pertaining to the MAX13253 please contact Maxim at 1-888-629-4642 or visit www.maximintegrated.com/datasheet/index.mvp/id/8081. Maxim is a reg. trademark of Maxim Integrated Products.