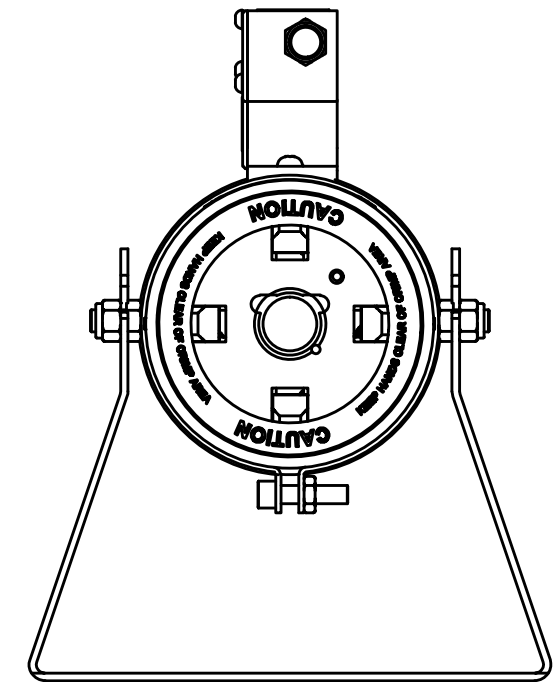
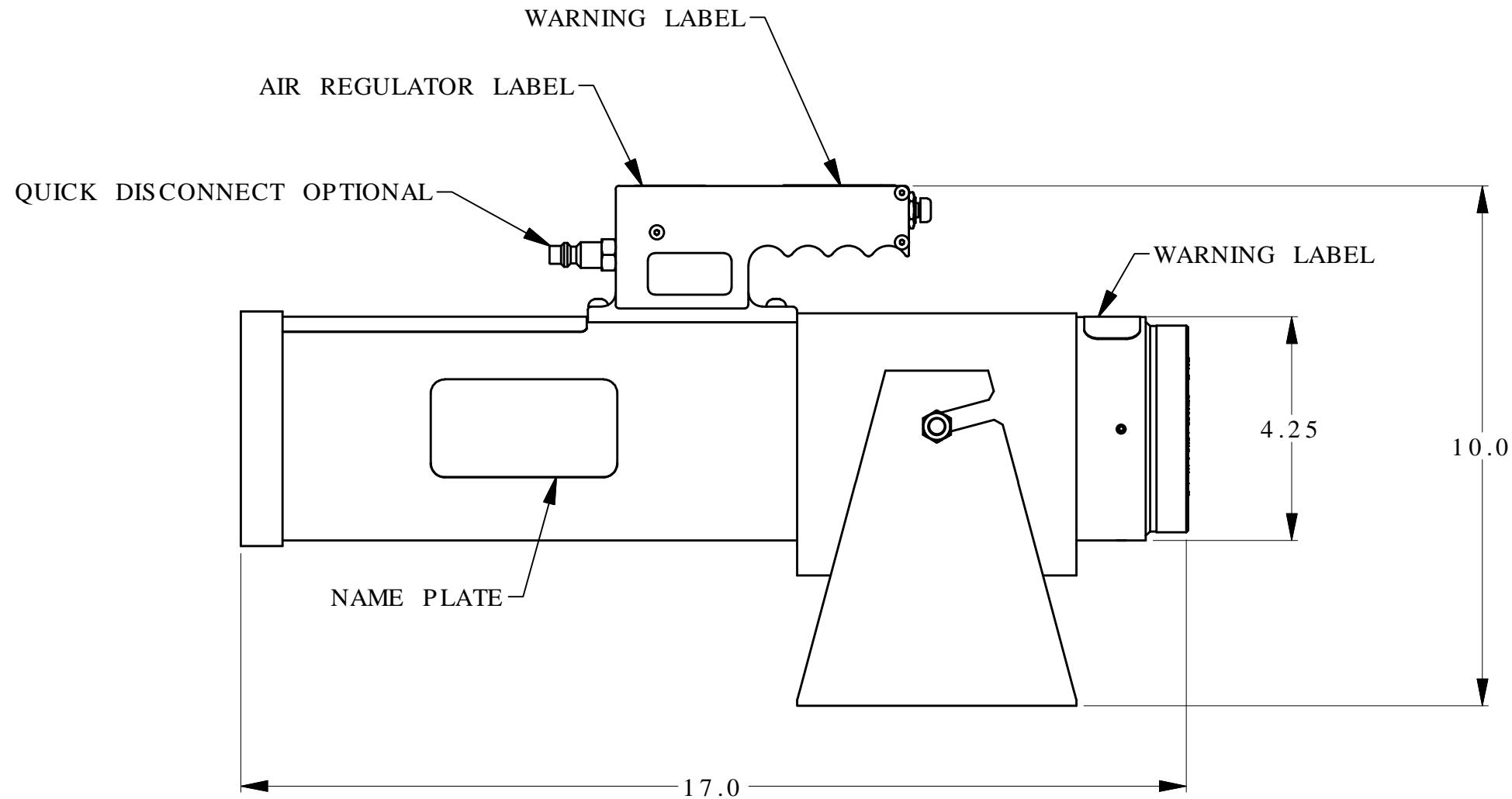


REVISIONS				
REV SYM	ECO NUMBER	DESCRIPTION	BY DATE	APP'D DATE
A		INITIAL RELEASE	MMK 06/09/09	DYO 06/09/09



UNCONTROLLED DOCUMENT
WILL NOT BE UPDATED

THESE DRAWINGS, SPECIFICATIONS OR OTHER DATA ARE THE PROPERTY OF ASTRO TOOL CORP. AND MUST BE RETURNED UPON REQUEST. THEY CONTAIN INFORMATION OWNED AND/OR DEVELOPED BY ASTRO AT ITS OWN PRIVATE EXPENSE AND MAY NOT BE USED, DUPLICATED OR DISCLOSED TO OTHERS, IN WHOLE OR IN PART FOR DESIGN, MANUFACTURE, OR PROCUREMENT WITHOUT THE WRITTEN PERMISSION OF ASTRO TOOL CORP. EACH AND EVERY TIME. CREATED FROM AN INVENTOR MODEL. CHANGES MUST BE REFLECTED IN THE 3D PART DO NOT SCALE DRAWING	MATERIAL	ITEM		PART NO.	QTY.	DESCRIPTION/ REMARKS			
	N/ A	DRN.	J. MATTHEWS	DATE	06/09/09	CAGE 58164 21615 S.W. TUALATIN VALLEY HWY., BEAVERTON OR 97006			
	HEAT TREAT	N/ A	CHK'D.	DYO	DATE			06/09/09	
	FINISH	N/ A	TOLERANCE:		APP'D.	DATE	TITLE	ENVELOPE DRAWING PNEUMATIC CRIMP TOOL (REF:M22520/23-01)	
		SIZE	B	SCALE	NTS	CAD P/ N	H- AMT23B- ENV	SHEET OF	1 OF 1
		POSTING			P/ N	AMT23 B- ENV		REV.	A